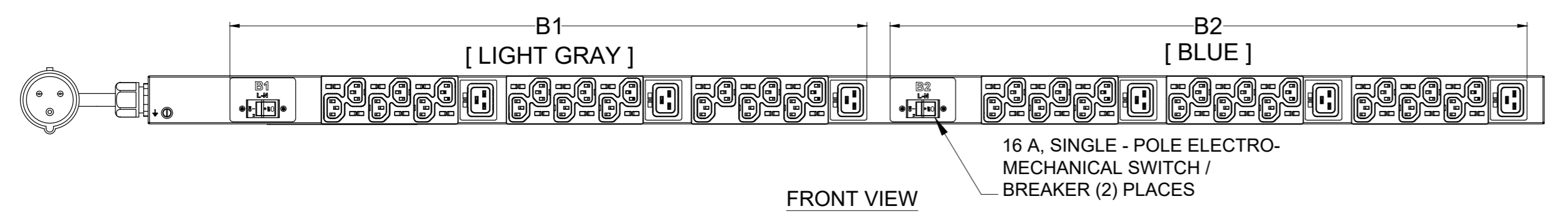
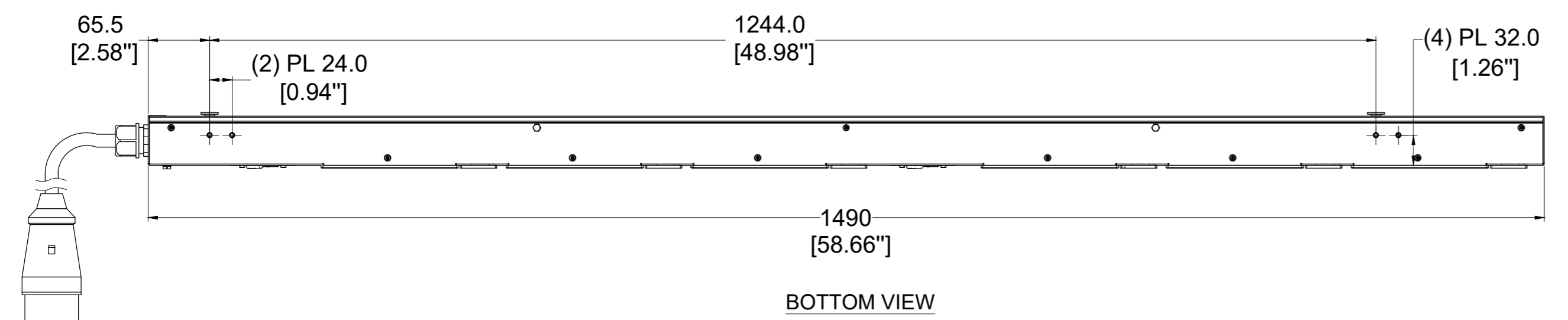
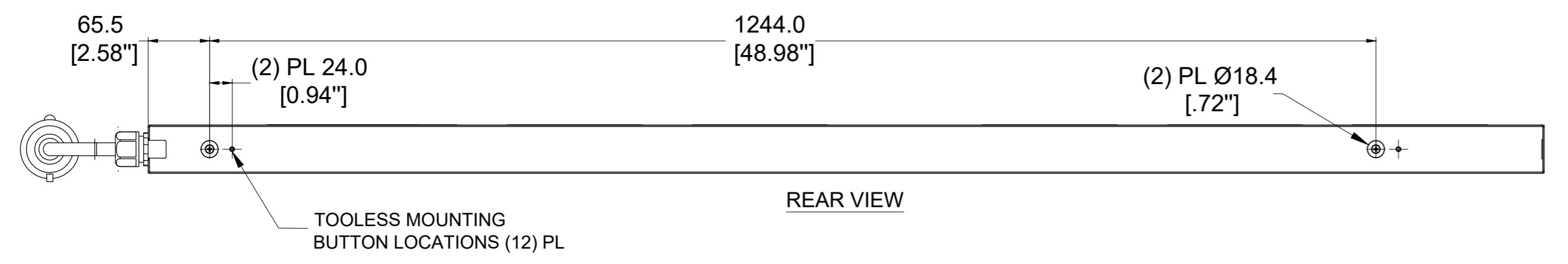
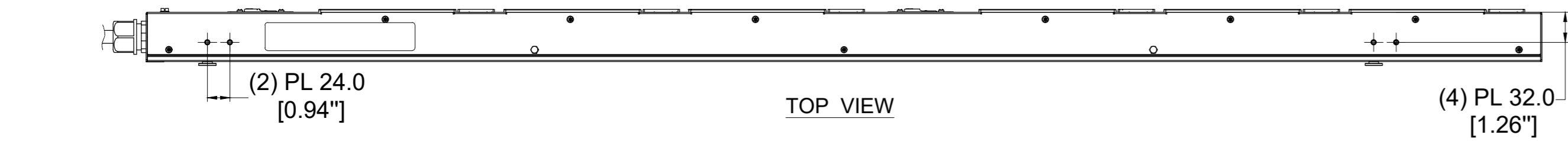


THE INFORMATION CONTAINED IN THIS DRAWING IS THE SOLE PROPERTY OF CIS. ANY REPRODUCTION IN PART OR WHOLE WITHOUT WRITTEN PERMISSION OF CIS IS PROHIBITED.

REVISIONS				SIGN	DATE
ECN/ECD	PLACES	REV.	DESCRIPTION	Wanbin Liu	2019.4.9
		E1	Design Release		



PLUG/RECEPTACLE BLOCK

PLUG
IEC 60309, 2P 3W, 6H
IP44 (SPASHPROOF)
32A, 200 - 250V MAX RATED INPUT

RECEPTACLES
IEC 60320/C19
16A, 250V MAX RATED OUTPUT

RECEPTACLES
IEC 60320/C13
10A, 250V MAX RATED OUTPUT

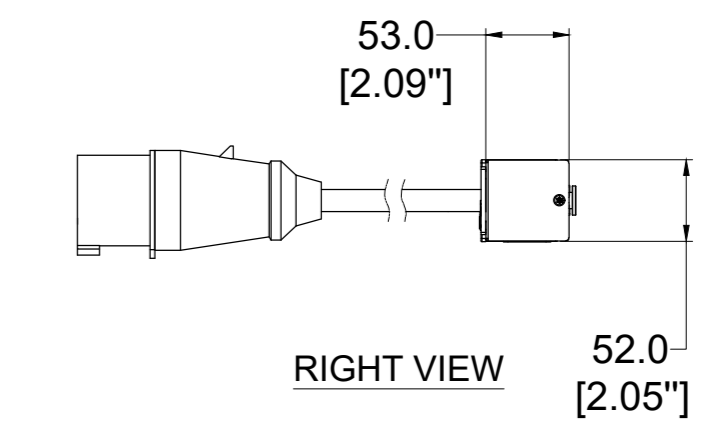
SPECIFICATION:

1.STANDARD:

UNIT TYPE:	BASIC
ORIENTATION:	VERTICAL,MID
OUTLET QTY&TYPE:	(36)C13,(6)C19
INPUT VOLTAGE:	100-240VAC
INPUT CURRENT:	32A
BREAKER QTY&TYPE:	(2)16A,SINGLE-POLE:
INPUT PHASE:	SINGLE PHASE
RATED POWER:	7.4KVA
INPUT PLUG:	IEC 60309 2P+E 6H 32A
INPUT POWER CORD:	3m[10'],TOP FEED
REGULATORY STANDARD:	RoHS COMPLIANT

NOTES:

1.PRIMARY DIMENSIONS ARE IN MILLIMETERS. SECONDARY DIMENSION ARE IN INCHES




UNLESS NOTED, DIMENSIONS IN MILLIMETERS & TOLERANCES ARE: X. ± 1 MM X.X ± 0.5 MM X.XX ± 0.20 MM ØX.X ± 0.4 MM ØX.XX ± 0.20 MM	DESIGNER & DATE: Wanbin Liu 2019-4-9	CIS ASIA PACIFIC CIS WUXI CHINA
	STANDARDIZATION/CHECKER & DATE: Hanson Xu 2019-4-11	
BRACKETED DIMENSIONS ARE IN INCHES FOR REFERENCE ONLY	DFM & DATE: Talon Lv 2019-4-11	DESCRIPTION: EN2.0 PDU
	APPROVER & DATE: Kanson Ren 2019-4-11	P/N: EB0337
THIRD ANGLE PROJECTION IF 2D AND 3D DIFFER, 2D SHALL TAKE PRECEDENCE	ITEM WEIGHT (REFERENCE ONLY): MATERIAL: Assembly	REV: E1 SCALE 1:5 (DO NOT SCALE DRAWING) SIZE: A2 SHEET 1 OF 2

THE INFORMATION CONTAINED IN THIS DRAWING IS THE SOLE PROPERTY OF CIS. ANY REPRODUCTION IN PART OR WHOLE WITHOUT WRITTEN PERMISSION OF CIS IS PROHIBITED.

enLOGIC

SKU #: EB0337
Model #: EP05032-0016
INPUT: 100-240VAC, 1PHASE, 50/60Hz, 32A
OUTPUT: C13; 100-240VAC, 10A per outlet
C19; 100-240VAC, 16A per outlet
32A Total


Power Distribution Unit




CIS Global LLC
1791 W Dairy Place,
Suite 185, Tucson,
Arizona 85705

USED IN ITE

SKU#:
EB0337



Serial Number
CNXXXXXXXX



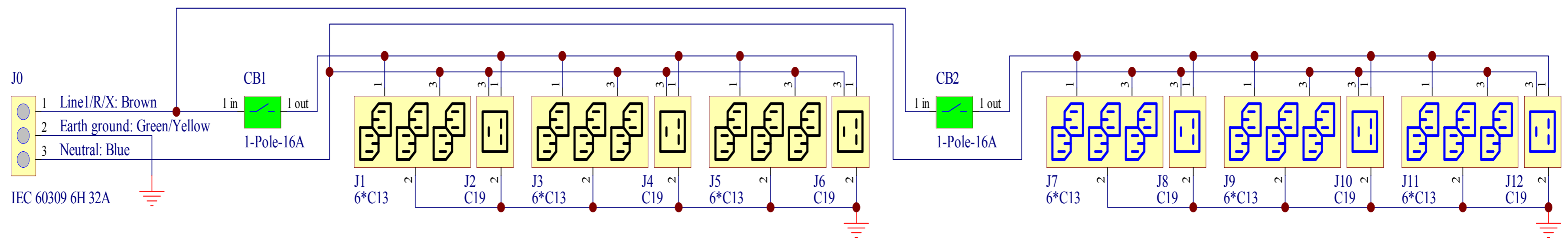
Made In China

Mfr.Name:ASIA PACIFIC CIS(WUXI)CO LTD

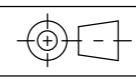

COMPLIANCE LABEL

NOTES:

1. INTERNAL WIRING:
- | | |
|---------------------|---------------------|
| WIRE TYPE: | UL AWM 1015,12AWG |
| LINE 1/R/X COLOR: | BROWN |
| EARTH GROUND COLOR: | GREEN/YELLOW STRIPE |
| NEUTRAL WIRE COLOR: | BLUE |



INTERNAL WIRING SCHEMATIC

UNLESS NOTED, DIMENSIONS IN MILLIMETERS & TOLERANCES ARE: X. ± 1 MM X.X ± 0.5 MM X.XX ± 0.20 MM ØX.X ± 0.4 MM ØX.XX ± 0.20 MM BRACKETED DIMENSIONS ARE IN INCHES FOR REFERENCE ONLY  THIRD ANGLE PROJECTION IF 2D AND 3D DIFFER, 2D SHALL TAKE PRECEDENCE	DESIGNER & DATE: Wanbin Liu 2019-4-9	 ASIA PACIFIC CIS WUXI CHINA	DESCRIPTION: EN2.0 PDU P/N: EB0337 REV: E1	
	STANDARDIZATION/CHECKER & DATE: Hanson Xu 2019-4-11			
	DFM & DATE: Talon Lv 2019-4-11	APPROVER & DATE: Kanson Ren 2019-4-11		MATERIAL: Assembly
	SCALE 1:5 (DO NOT SCALE DRAWING)	SIZE: A2		SHEET 2 OF 2