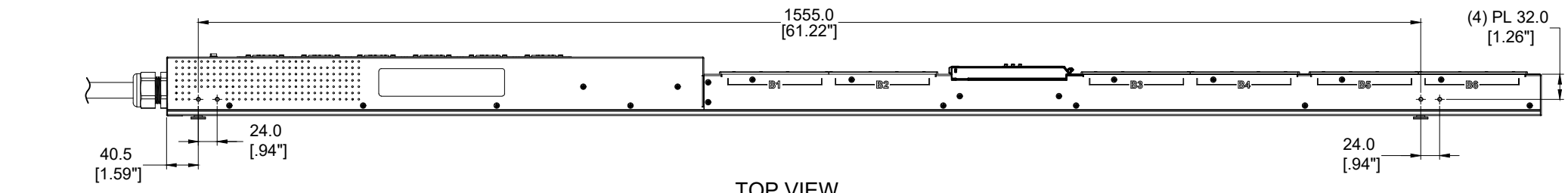


THE INFORMATION CONTAINED IN THIS DRAWING IS THE SOLE PROPERTY OF CIS. ANY REPRODUCTION IN PART OR WHOLE WITHOUT WRITTEN PERMISSION OF CIS IS PROHIBITED.

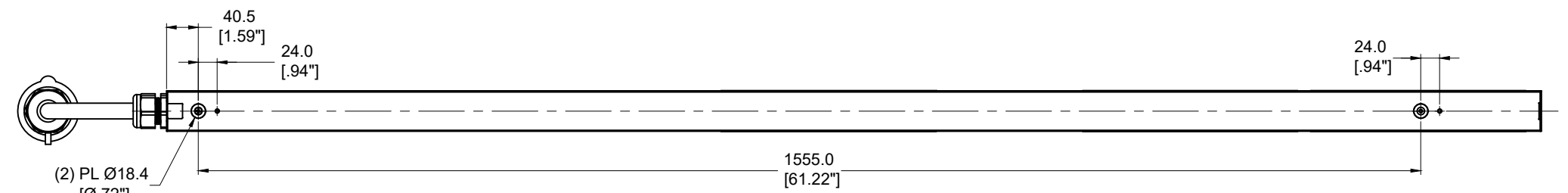
REVISIONS				SIGN	DATE
ECN/ECD	PLACES	REV.	DESCRIPTION	Wanbin Liu	2019.3.7
		E1	Design Release		

**SPECIFICATION:**

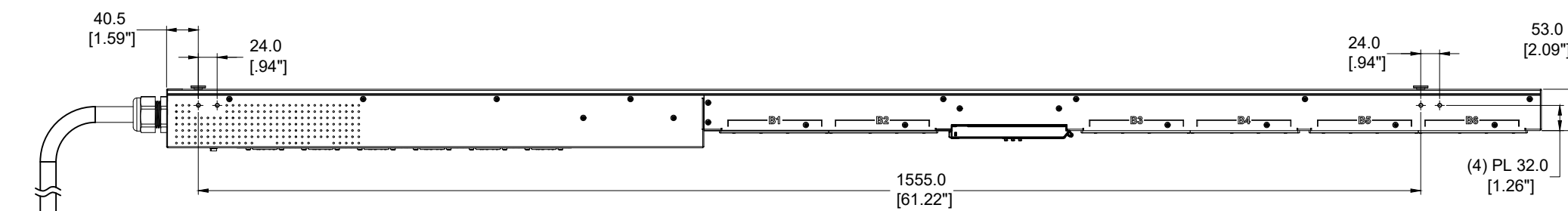
1. STANDARD:  
 UNIT TYPE: MONITORED & SWITCHED PER OUTLET  
 ORIENTATION: VERTICAL, 0U FULL  
 OUTLET QTY & TYPE: (12) C13, (12) C19  
 INPUT VOLTAGE: 200-240/346-415VAC  
 INPUT CURRENT: 32A  
 BREAKER QTY & TYPE: (6) 16AMP, SINGLE-POLE  
 INPUT PHASE: THREE-PHASE, WYE  
 RATED POWER: 22.0 KVA  
 INPUT PLUG: IEC 60309 3P+N+E 6H 32A  
 REGULATORY STANDARD: RoHS COMPLIANT



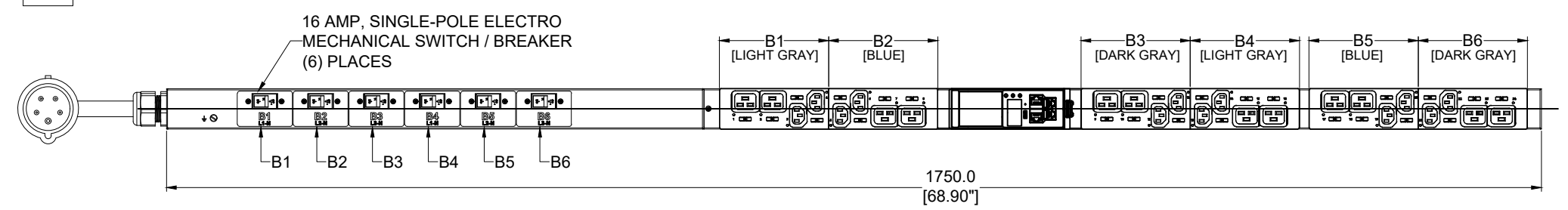
TOP VIEW



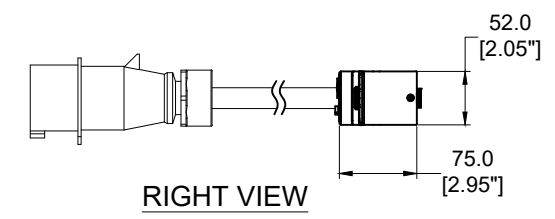
REAR VIEW



BOTTOM VIEW



FRONT VIEW



RIGHT VIEW

**PLUG**  
IEC 60309, 4P 5W, 6H  
IP44 (SPASHPROOF)  
32A, 346 - 415V MAX RATED INPUT

**RECEPTACLES**  
IEC 60320/C19  
16A, 250V MAX RATED OUTPUT

**RECEPTACLES**  
IEC 60320/C13  
10A, 250V MAX RATED OUTPUT

UNLESS NOTED, DIMENSIONS IN MILLIMETERS & TOLERANCES ARE: X. ± 1 MM X.X ± 0.5 MM X.XX ± 0.20 MM ØX.X ± 0.4 MM ØX.XX ± 0.20 MM	DESIGNER & DATE: Wanbin Liu 2019-3-7	
	STANDARDIZATION/CHECKER & DATE: Hanson Xu 2019-3-11	
THIRD ANGLE PROJECTION	DESCRIPTION: EN2.0 PDU	P/N: TA-EN6808 REV: E1
	APPROVER & DATE: Kanson Ren 2019-3-11	
IF 2D AND 3D DIFFER, 2D SHALL TAKE PRECEDENCE	MATERIAL: Assembly	SCALE: 1:5 (DO NOT SCALE DRAWING) SIZE: A2 SHEET 1 OF 2

THE INFORMATION CONTAINED IN THIS DRAWING IS THE SOLE PROPERTY OF CIS. ANY REPRODUCTION IN PART OR WHOLE WITHOUT WRITTEN PERMISSION OF CIS IS PROHIBITED.

# enLOGIC

SKU #: EN6808  
 Model #: EP62032-0010  
 INPUT: 200-240/346-415VAC, WYE, 3PHASE, 50/60Hz, 32A  
 OUTPUT: C13; 200-240VAC, 10A per outlet  
 C19; 200-240VAC, 16A per outlet  
 32A Total  
 Mac Address:XX-XX-XX-XX-XX-XX

## Power Distribution Unit



SKU#: EN6808  
 Serial Number: CNXXXXXXXXXX  
 Made In China  
 Mfr.Name:ASIA PACIFIC CIS(WUXI)CO LTD

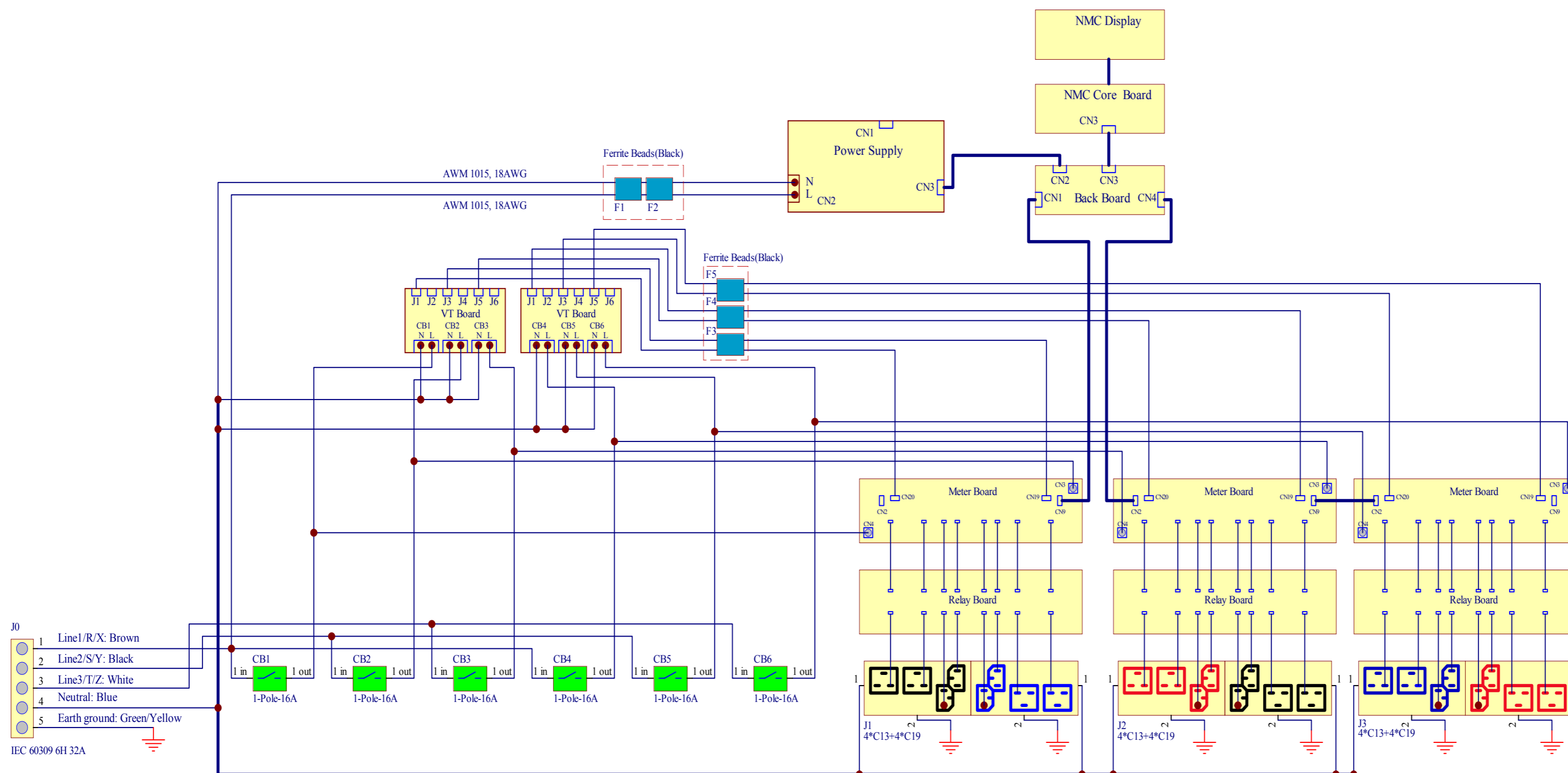
## COMPLIANCE LABEL

### NOTES:

#### 1. INTERNAL WIRING:

WIRE TYPE:  
 LINE 1/R/X COLOR:  
 LINE 2/S/Y COLOR:  
 LINE 3/T/Z COLOR:  
 EARTH GROUND COLOR:  
 NEUTRAL WIRE COLOR:

UL AWM 1015, 10 & 12 & 18AWG  
 BROWN  
 BLACK  
 WHITE  
 GREEN/YELLOW STRIPE  
 BLUE



## INTERNAL WIRING SCHEMATIC

- J0
- 1 Line1/R/X: Brown
  - 2 Line2/S/Y: Black
  - 3 Line3/T/Z: White
  - 4 Neutral: Blue
  - 5 Earth ground: Green/Yellow
- IEC 60309 6H 32A

UNLESS NOTED, DIMENSIONS IN MILLIMETERS & TOLERANCES ARE:

X	± 1	MM	
X.X	± 0.5	MM	X° ± 1°
X.XX	± 0.20	MM	X.X° ± 0.5°
ØX.X	± 0.4	MM	
ØX.XX	± 0.20	MM	

BRACKETED DIMENSIONS ARE IN INCHES FOR REFERENCE ONLY

THIRD ANGLE PROJECTION

IF 2D AND 3D DIFFER, 2D SHALL TAKE PRECEDENCE

DESIGNER & DATE:	Wanbin Liu 2019-3-13
STANDARDIZATION/CHECKER & DATE:	Hanson Xu 2019-3-15
DFM & DATE:	Talon Lv 2019-3-15
APPROVER & DATE:	Kanson Ren 2019-3-15
ITEM WEIGHT (REFERENCE ONLY):	
MATERIAL:	Assembly

DESCRIPTION: EN2.0 PDU	
P/N: TA-EN6808	REV: E1
SCALE: 1:5 (DO NOT SCALE DRAWING)	SIZE: A2 SHEET 2 OF 2