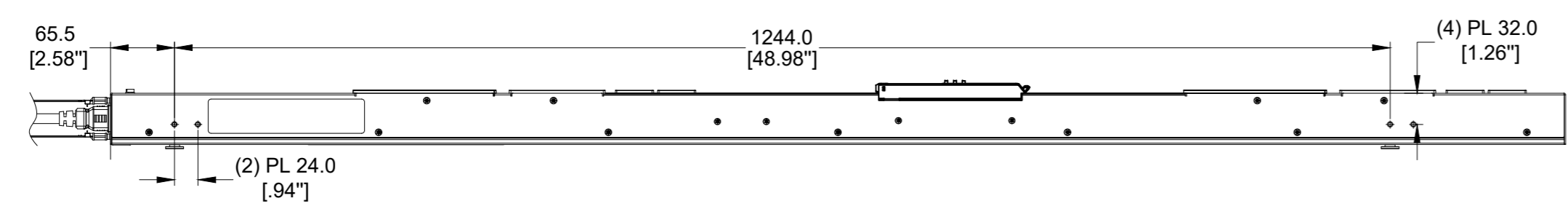
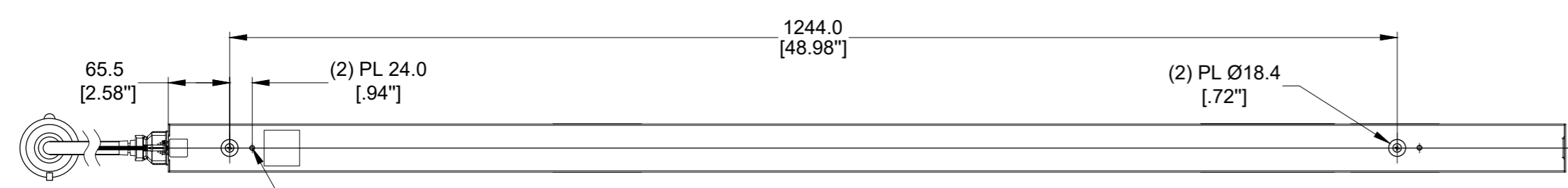


THE INFORMATION CONTAINED IN THIS DRAWING IS THE SOLE PROPERTY OF CIS. ANY REPRODUCTION IN PART OR WHOLE WITHOUT WRITTEN PERMISSION OF CIS IS PROHIBITED.

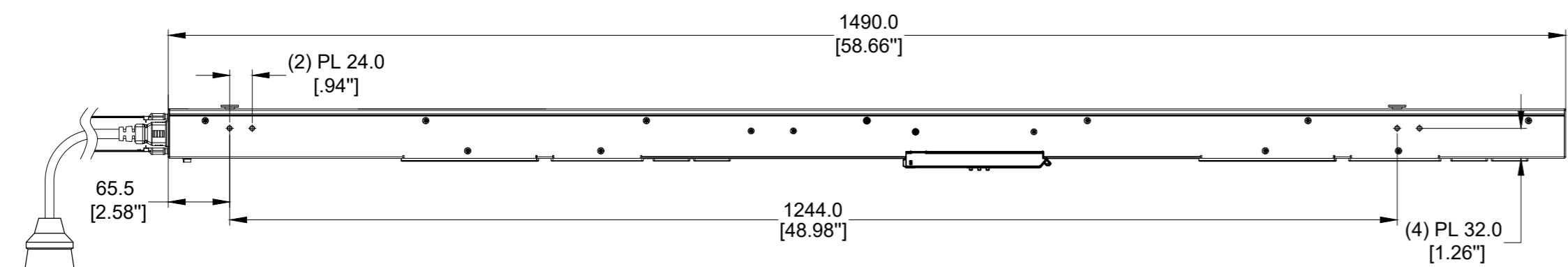
REVISIONS					
ECN/ECD	PLACES	REV.	DESCRIPTION	SIGN	DATE
		E1	Design Release	Wanbin Liu	2019.3.13



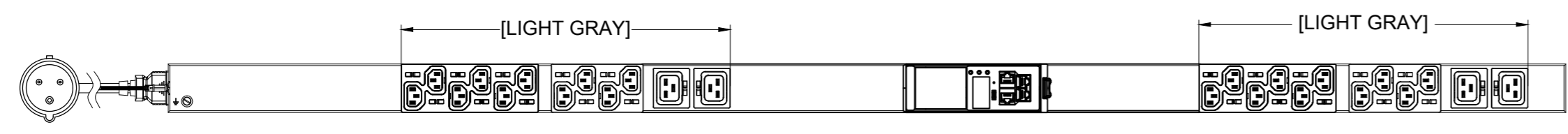
TOP VIEW



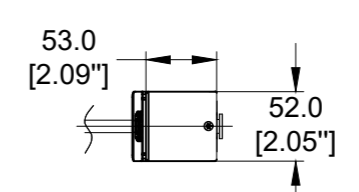
REAR VIEW



BOTTOM VIEW



FRONT VIEW



RIGHT VIEW

**SPECIFICATION:**

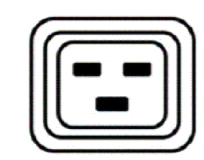
**1. STANDARD:**

UNIT TYPE:	MONITORED INPUT
ORIENTATION:	VERTICAL, MID
OUTLET QTY&TYPE:	(20) C13, (4) C19
INPUT VOLTAGE:	100-240VAC
INPUT CURRENT:	16A
BREAKER QTY&TYPE:	N/A
INPUT PHASE:	SINGLE-PHASE
RATED POWER:	3.7kVA
INPUT PLUG:	IEC 60309 2P+E 6H 16A
INPUT POWER CORD:	3m [10'], TOP FEED
REGULATORY STANDARD:	RoHS COMPLIANT

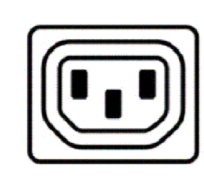
**PLUG/RECEPTACLE BLOCK**



**PLUG**  
IEC 60309, 2P 3W, 6H  
IP44 (SPASHPROOF)  
16A, 250V MAX RATED INPUT



**RECEPTACLES**  
IEC 60320/C19  
16A, 250V MAX RATED OUTPUT

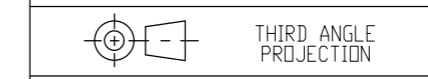


**RECEPTACLES**  
IEC 60320/C13  
10A, 250V MAX RATED OUTPUT

UNLESS NOTED, DIMENSIONS IN MILLIMETERS & TOLERANCES ARE:

X	± 1	MM	X°	± 1°
X.X	± 0.5	MM	X.X°	± 0.5°
X.XX	± 0.20	MM		
ØX.X	± 0.4	MM		
ØX.XX	± 0.20	MM		

BRACKETED DIMENSIONS ARE IN INCHES FOR REFERENCE ONLY



IF 2D AND 3D DIFFER, 2D SHALL TAKE PRECEDENCE

DESIGNER & DATE:	Wanbin Liu 2019-3-13
STANDARDIZATION/CHECKER & DATE:	Hanson Xu 2019-3-15
DFM & DATE:	Talon Lv 2019-3-15
APPROVER & DATE:	Kanson Ren 2019-3-15
ITEM WEIGHT (REFERENCE ONLY):	

**MATERIAL:**  
Assembly

	DESCRIPTION:	EN2.0 PDU
	P/N:	TA-EN1326
	SCALE: 1:5 (DO NOT SCALE DRAWING)	SIZE: A2
		SHEET 1 OF 2

REV: E1

THE INFORMATION CONTAINED IN THIS DRAWING IS THE SOLE PROPERTY OF CIS. ANY REPRODUCTION IN PART OR WHOLE WITHOUT WRITTEN PERMISSION OF CIS IS PROHIBITED.

**enLOGIC** Power Distribution Unit

SKU#: EN1326  
Model#: EP15016-0013  
INPUT: 100-240VAC, 1PHASE, 50/60Hz, 16A  
OUTPUT: C13: 100-240VAC, 10A per outlet  
C19: 100-240VAC, 16A per outlet  
16A Total  
Mac Address:XX-XX-XX-XX-XX-XX

CIS Global LLC  
1725 W. Dairy Place,  
Suite 185, Tucson,  
Arizona 85715  
USED IN ITE

SKU#: EN1326  
Serial Number  
CNXXXXXXXXXX  
Made In China  
Mfr.Name:ASIA PACIFIC CIS(WUXI)CO LTD

**COMPLIANCE LABEL**

**NOTES:**

**1. INTERNAL WIRING:**

WIRE TYPE:

LINE 1/R/X COLOR:

EARTH GROUND COLOR:

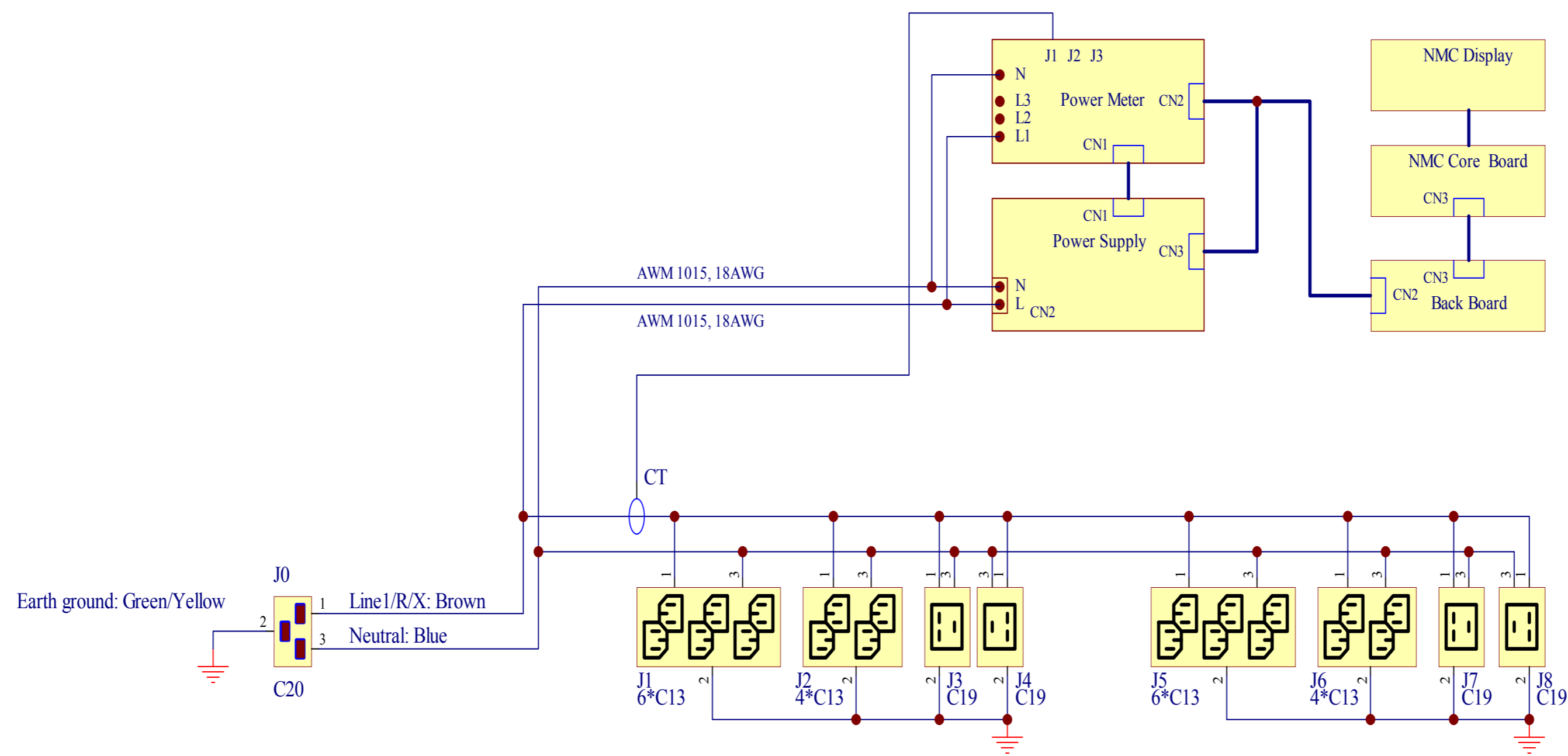
NEUTRAL WIRE COLOR:

UL AWM 1015, 12 & 18AWG

BROWN

GREEN/YELLOW STRIPE

BLUE



**INTERNAL WIRING SCHEMATIC**

<p>UNLESS NOTED, DIMENSIONS IN MILLIMETERS &amp; TOLERANCES ARE:</p> <table style="font-size: small;"> <tr><td>X.</td><td>± 1</td><td>MM</td><td>X°</td><td>± 1°</td></tr> <tr><td>X.X</td><td>± 0.5</td><td>MM</td><td>X.X°</td><td>± 0.5°</td></tr> <tr><td>X.XX</td><td>± 0.20</td><td>MM</td><td></td><td></td></tr> <tr><td>ØX.X</td><td>± 0.4</td><td>MM</td><td></td><td></td></tr> <tr><td>ØX.XX</td><td>± 0.20</td><td>MM</td><td></td><td></td></tr> </table> <p>BRACKETED DIMENSIONS ARE IN INCHES FOR REFERENCE ONLY</p> <div style="text-align: center;"> <p>THIRD ANGLE PROJECTION</p> </div> <p>IF 2D AND 3D DIFFER, 2D SHALL TAKE PRECEDENCE</p>	X.	± 1	MM	X°	± 1°	X.X	± 0.5	MM	X.X°	± 0.5°	X.XX	± 0.20	MM			ØX.X	± 0.4	MM			ØX.XX	± 0.20	MM			<p>DESIGNER &amp; DATE: Wanbin Liu 2019-3-13</p> <p>STANDARDIZATION/CHECKER &amp; DATE: Hanson Xu 2019-3-15</p> <p>DFM &amp; DATE: Talon Lv 2019-3-15</p> <p>APPROVER &amp; DATE: Kanson Ren 2019-3-15</p> <p>ITEM WEIGHT (REFERENCE ONLY):</p>	<p>DESCRIPTION: <b>EN2.0 PDU</b></p> <p>P/N: <b>TA-EN1326</b></p> <p>REV: <b>E1</b></p>
	X.	± 1	MM	X°	± 1°																						
	X.X	± 0.5	MM	X.X°	± 0.5°																						
	X.XX	± 0.20	MM																								
ØX.X	± 0.4	MM																									
ØX.XX	± 0.20	MM																									
<p>MATERIAL: <b>Assembly</b></p>	<p>SCALE 1:5 (DO NOT SCALE DRAWING)</p>																										
<p>SIZE: A2</p>	<p>SHEET 2 OF 2</p>																										
<p>SCALE 1:5 (DO NOT SCALE DRAWING)</p>																											