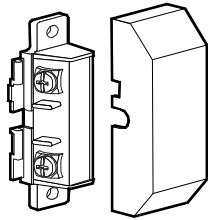
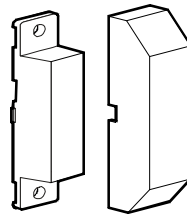


# NetBotz<sup>®</sup> Door Switch Sensors for APC<sup>®</sup> Racks (NBES0303) Installation Instructions

## Inventory



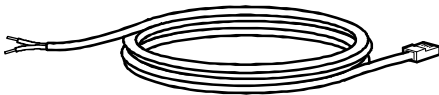
Switch (2)



Magnet (2)



M3 hex nut (4)



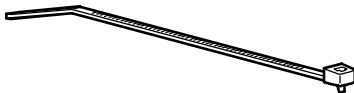
4.57-m (15-ft) door switch sensor cable (2)



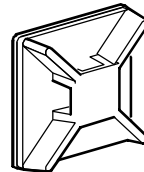
6-32 x 5/16-in screw (6)



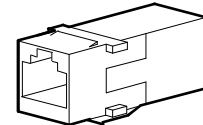
63.5-mm (2.5-in) dual adhesive tape (4)



203-mm (8-in) tie wrap (10)



Adhesive cable tie holder (5)



RJ-45 coupling (1)

## Installation

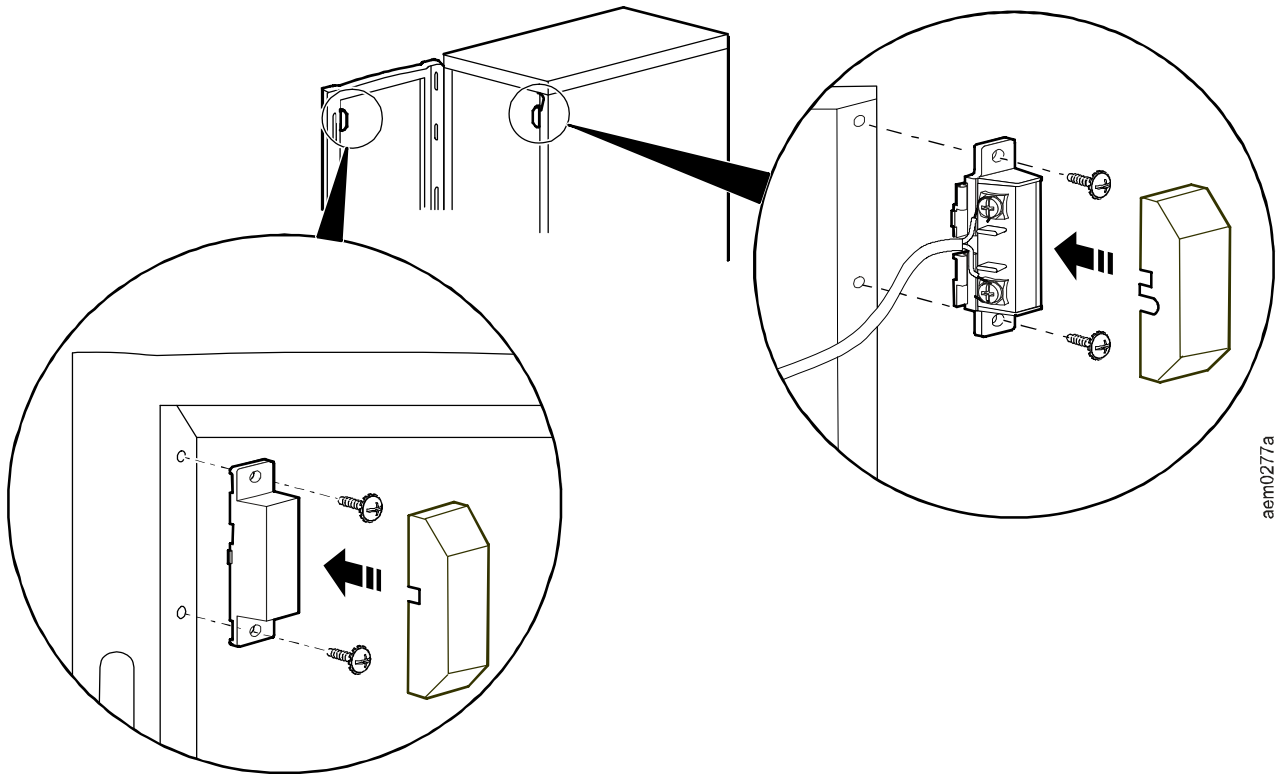


**Caution:** Make sure you connect this sensor to a **Sensor** port on applicable NetBotz products. See your NetBotz product documentation for details.

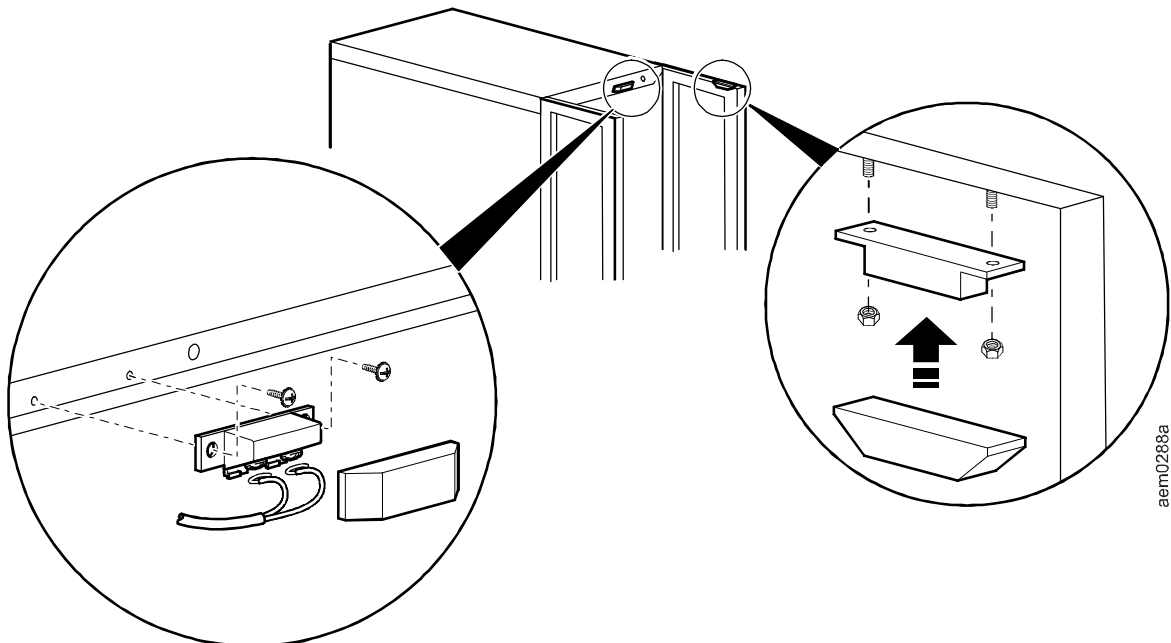


**Note:** You can extend the length of the sensor cable up to 30.5 m (100 ft) using the RJ-45 coupling and standard CAT-5 cabling.

## 1 Front Door of NetShelter® SX Enclosure



## 2 Rear Door of NetShelter SX Enclosure



Customer support and warranty information is available at the APC Web site, [www.apc.com](http://www.apc.com).

© 2008 American Power Conversion. All rights reserved. All APC trademarks are property of American Power Conversion. Other trademarks are property of their respective owners.

990-3375  
05/2008

