

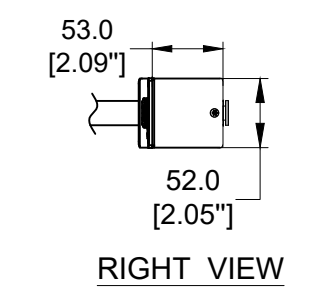
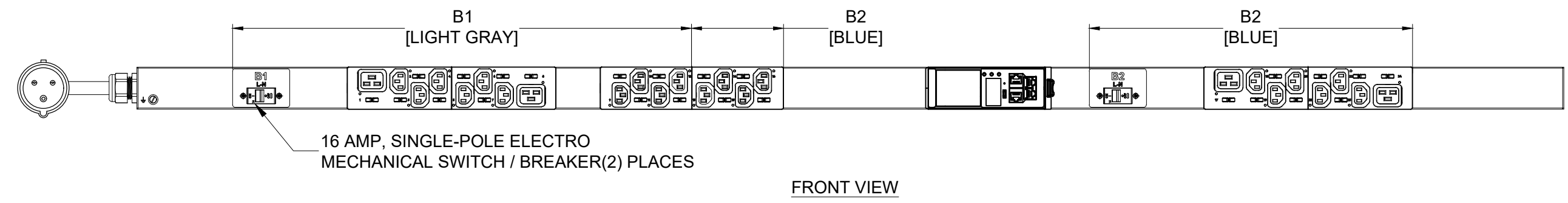
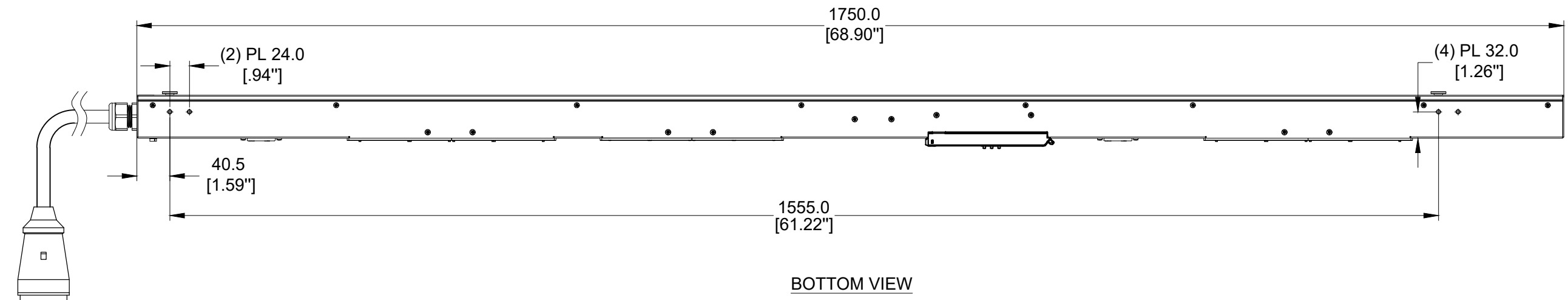
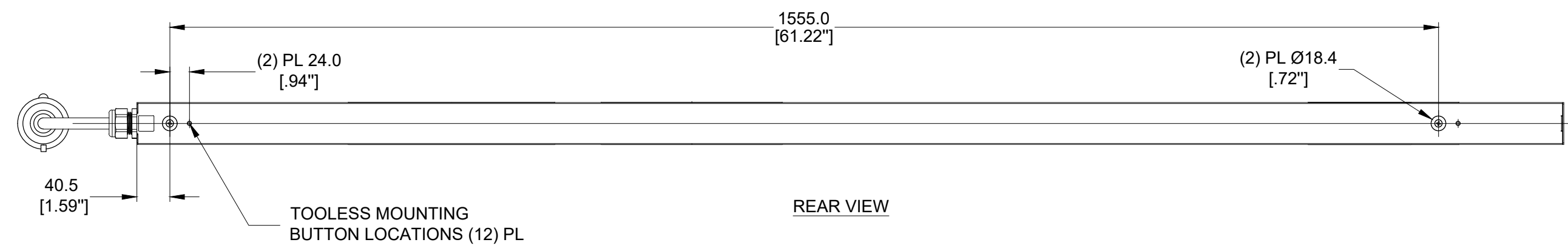
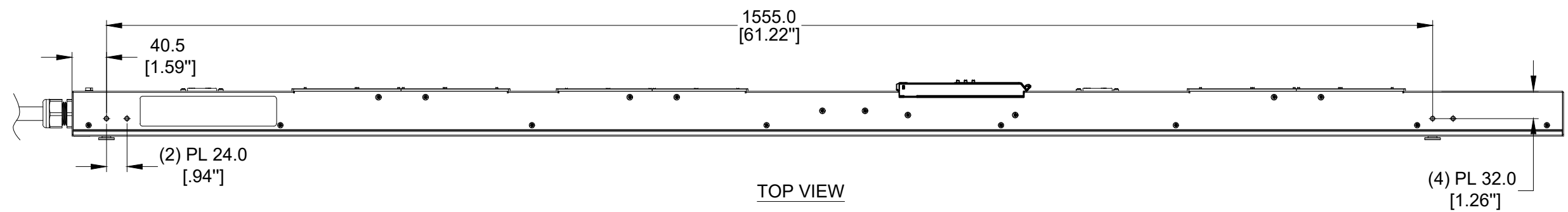
THE INFORMATION CONTAINED IN THIS DRAWING IS THE SOLE PROPERTY OF CIS. ANY REPRODUCTION IN PART OR WHOLE WITHOUT WRITTEN PERMISSION OF CIS IS PROHIBITED.

REVISIONS					
ECN/ECD	PLACES	REV.	DESCRIPTION	SIGN	DATE
		E1	Design Release	Wanbin Liu	2019.3.13

SPECIFICATION:

1. STANDARD:

UNIT TYPE:	MONITORED SWITCHED
ORIENTATION:	VERTICAL, 0U, FULL
OUTLET QTY&TYPE:	(20) C13, (4) C19
INPUT VOLTAGE:	100-240VAC
INPUT CURRENT:	32A
BREAKER QTY&TYPE:	(2) 16AMP, SINGLE-POLE
INPUT PHASE:	SINGLE-PHASE
RATED POWER:	7.4kVA
INPUT PLUG:	IEC 60309 2P+E 6H 32A
INPUT POWER CORD:	3m[10'], TOP FEED
REGULATORY STANDARD:	RoHS COMPLIANT



PLUG/RECEPTACLE BLOCK

	PLUG IEC 60309, 2P 3W, 6H IP44 (SPASHPROOF) 32A, 200-250V MAX RATED INPUT
	RECEPTACLES IEC 60320/C19 16A, 250V MAX RATED OUTPUT
	RECEPTACLES IEC 60320/C13 10A, 250V MAX RATED OUTPUT

UNLESS NOTED, DIMENSIONS IN MILLIMETERS & TOLERANCES ARE: X. ± 1 MM X.X ± 0.5 MM X.XX ± 0.20 MM ØX.X ± 0.4 MM ØX.XX ± 0.20 MM	DESIGNER & DATE: Wanbin Liu 2019-3-13	
	STANDARDIZATION/CHECKER & DATE: Hanson Xu 2019-3-15	
	DFM & DATE: Talon Lv 2019-3-15	
	APPROVER & DATE: Kanson Ren 2019-3-15	
THIRD ANGLE PROJECTION IF 2D AND 3D DIFFER, 2D SHALL TAKE PRECEDENCE	ITEM WEIGHT (REFERENCE ONLY):	DESCRIPTION: EN2.0 PDU P/N: TA-EN2325 SCALE: 1:5 (DO NOT SCALE DRAWING)
	MATERIAL: Assembly	SIZE: A2 SHEET 1 OF 2

THE INFORMATION CONTAINED IN THIS DRAWING IS THE SOLE PROPERTY OF CIS. ANY REPRODUCTION IN PART OR WHOLE WITHOUT WRITTEN PERMISSION OF CIS IS PROHIBITED.

enLOGIC Power Distribution Unit

SKU #: EN2325
Model #: EP25032-0013
INPUT: 100-240VAC, 1PHASE, 50/60Hz, 32A
OUTPUT: C13; 100-240VAC, 10A per outlet
C19; 100-240VAC, 16A per outlet
32A Total
Mac Address: XX-XX-XX-XX-XX-XX

CE D

CIS Global LLC
1791 W. Duxley Place,
Suite 185 Tucson,
Arizona 85705

USED IN ITE

50%

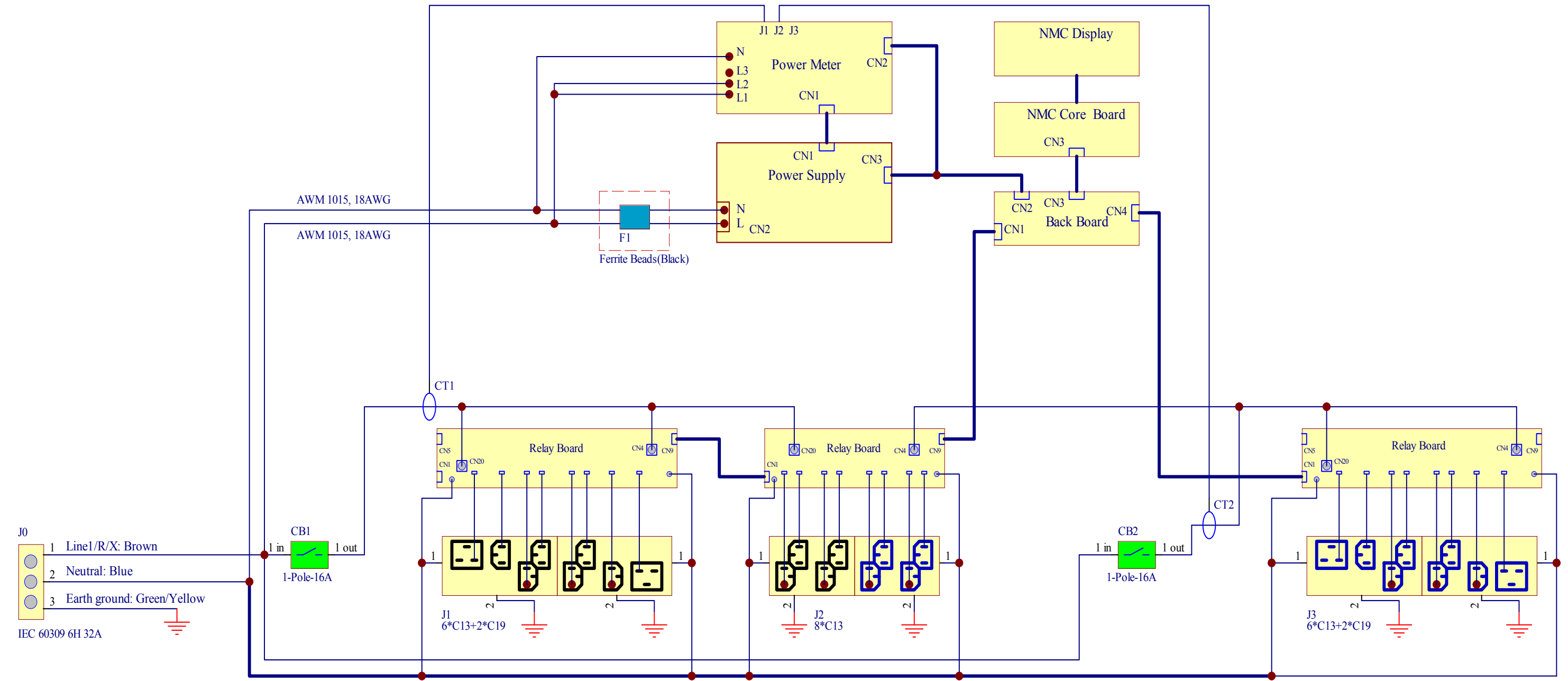
Serial Number
EN2325
CNXXXXXX

Made In China
Mfr. Name: ASIA PACIFIC CIS(WUXI)CO LTD

COMPLIANCE LABEL

NOTES:

- 1. INTERNAL WIRING:
- WIRE TYPE: UL AWM 1015, 10 & 12 & 18AWG
- LINE 1/R/X COLOR: BROWN
- EARTH GROUND COLOR: GREEN/YELLOW STRIPE
- NEUTRAL WIRE COLOR: BLUE



INTERNAL WIRING SCHEMATIC

UNLESS NOTED, DIMENSIONS IN MILLIMETERS & TOLERANCES ARE: X. ± 1 MM X.X ± 0.5 MM X.XX ± 0.20 MM ØX.X ± 0.4 MM ØX.XX ± 0.20 MM	DESIGNER & DATE: Wanbin Liu 2019-3-13	
	STANDARDIZATION/CHECKER & DATE: Hanson Xu 2019-3-15	
	DFM & DATE: Talon Lv 2019-3-15	DESCRIPTION: EN2.0 PDU
	APPROVER & DATE: Kanson Ren 2019-3-15	P/N: TA-EN2325
THIRD ANGLE PROJECTION IF 2D AND 3D DIFFER, 2D SHALL TAKE PRECEDENCE	ITEM WEIGHT (REFERENCE ONLY): Assembly	SCALE 1:5 (DO NOT SCALE DRAWING) SIZE: A2 SHEET 2 OF 2