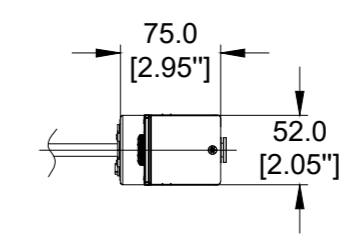
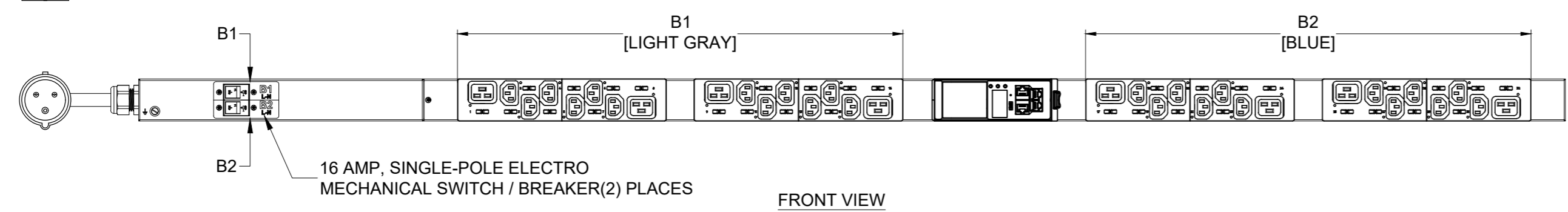
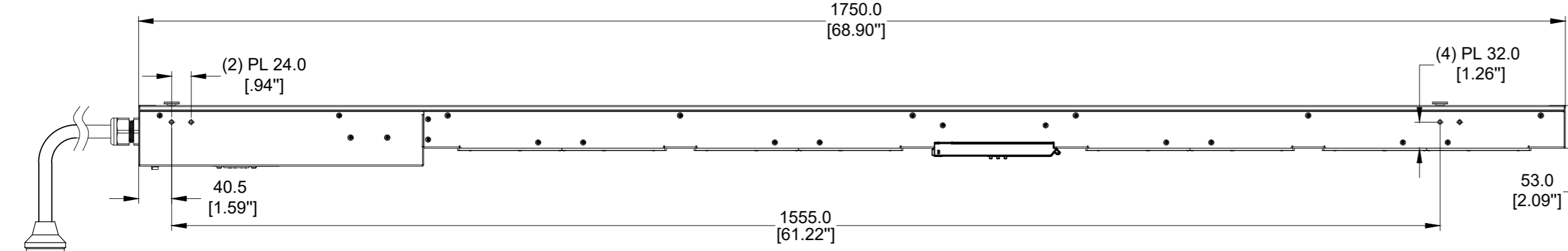
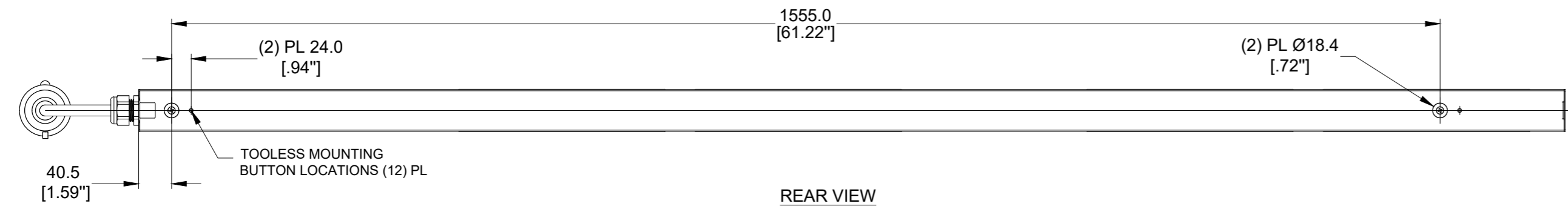
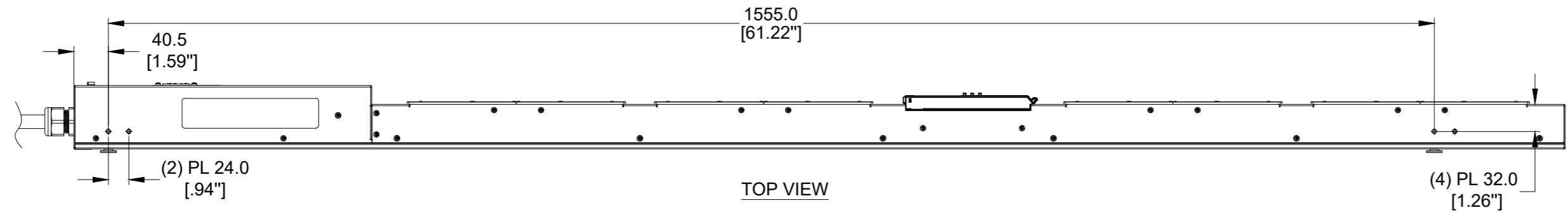


THE INFORMATION CONTAINED IN THIS DRAWING IS THE SOLE PROPERTY OF CIS. ANY REPRODUCTION IN PART OR WHOLE WITHOUT WRITTEN PERMISSION OF CIS IS PROHIBITED.

REVISIONS					
ECN/ECD	PLACES	REV.	DESCRIPTION	SIGN	DATE
		E1	Design Release	Wanbin Liu	2019.3.13

SPECIFICATION:
1. STANDARD:
 UNIT TYPE: MONITORED SWITCHED
 ORIENTATION: VERTICAL, 0U, FULL
 OUTLET QTY&TYPE: (24) C13, (8) C19
 INPUT VOLTAGE: 100-240VAC
 INPUT CURRENT: 32A
 BREAKER QTY&TYPE: (2) 16AMP, SINGLE-POLE
 INPUT PHASE: SINGLE-PHASE
 RATED POWER: 7.4kVA
 INPUT PLUG: IEC 60309 2P+E 6H 32A
 INPUT POWER CORD: 3m[10], TOP FEED
 REGULATORY STANDARD: RoHS COMPLIANT



PLUG/RECEPTACLE BLOCK

PLUG
 IEC 60309, 2P 3W, 6H
 IP44 (SPASHPROOF)
 32A, 200-250V MAX RATED INPUT

RECEPTACLES
 IEC 60320/C19
 16A, 250V MAX RATED OUTPUT

RECEPTACLES
 IEC 60320/C13
 10A, 250V MAX RATED OUTPUT

UNLESS NOTED, DIMENSIONS IN MILLIMETERS & TOLERANCES ARE: X. ± 1 MM X.X ± 0.5 MM X.XX ± 0.20 MM ØX.X ± 0.4 MM ØX.XX ± 0.20 MM	DESIGNER & DATE: Wanbin Liu 2019-3-13	
	STANDARDIZATION/CHECKER & DATE: Hanson Xu 2019-3-15	
	DFM & DATE: Talon Lv 2019-3-15	
	APPROVER & DATE: Kanson Ren 2019-3-15	
BRACKETED DIMENSIONS ARE IN INCHES FOR REFERENCE ONLY	ITEM WEIGHT (REFERENCE ONLY):	DESCRIPTION: EN2.0 PDU
THIRD ANGLE PROJECTION	MATERIAL: Assembly	P/N: TA-EN2329
IF 2D AND 3D DIFFER, 2D SHALL TAKE PRECEDENCE	SCALE 1:5 (DO NOT SCALE DRAWING)	SIZE: A2 SHEET 1 OF 2

THE INFORMATION CONTAINED IN THIS DRAWING IS THE SOLE PROPERTY OF CIS. ANY REPRODUCTION IN PART OR WHOLE WITHOUT WRITTEN PERMISSION OF CIS IS PROHIBITED.

enLOGIC Power Distribution Unit

SKU#: EN2329
 Model #: EP25032-0031
 INPUT: 100-240VAC, 1PHASE, 50/60Hz, 32A
 OUTPUT: C13; 100-240VAC, 10A per outlet
 C19; 100-240VAC, 16A per outlet
 32A Total
 Mac Address: XX-XX-XX-XX-XX-XX

CE, D, RoHS, RECYCLED, USED IN ITE

CIS Global LLC
 1791 W. Dairy Place,
 Suite 185, Tucson,
 Arizona 85705

EN2329
 Serial Number
 CNXXXXXX

Made In China
 Mfr. Name: ASIA PACIFIC CIS (WUXI) CO. LTD

COMPLIANCE LABEL

NOTES:

1. INTERNAL WIRING:

WIRE TYPE:

LINE 1/R/X COLOR:

EARTH GROUND COLOR:

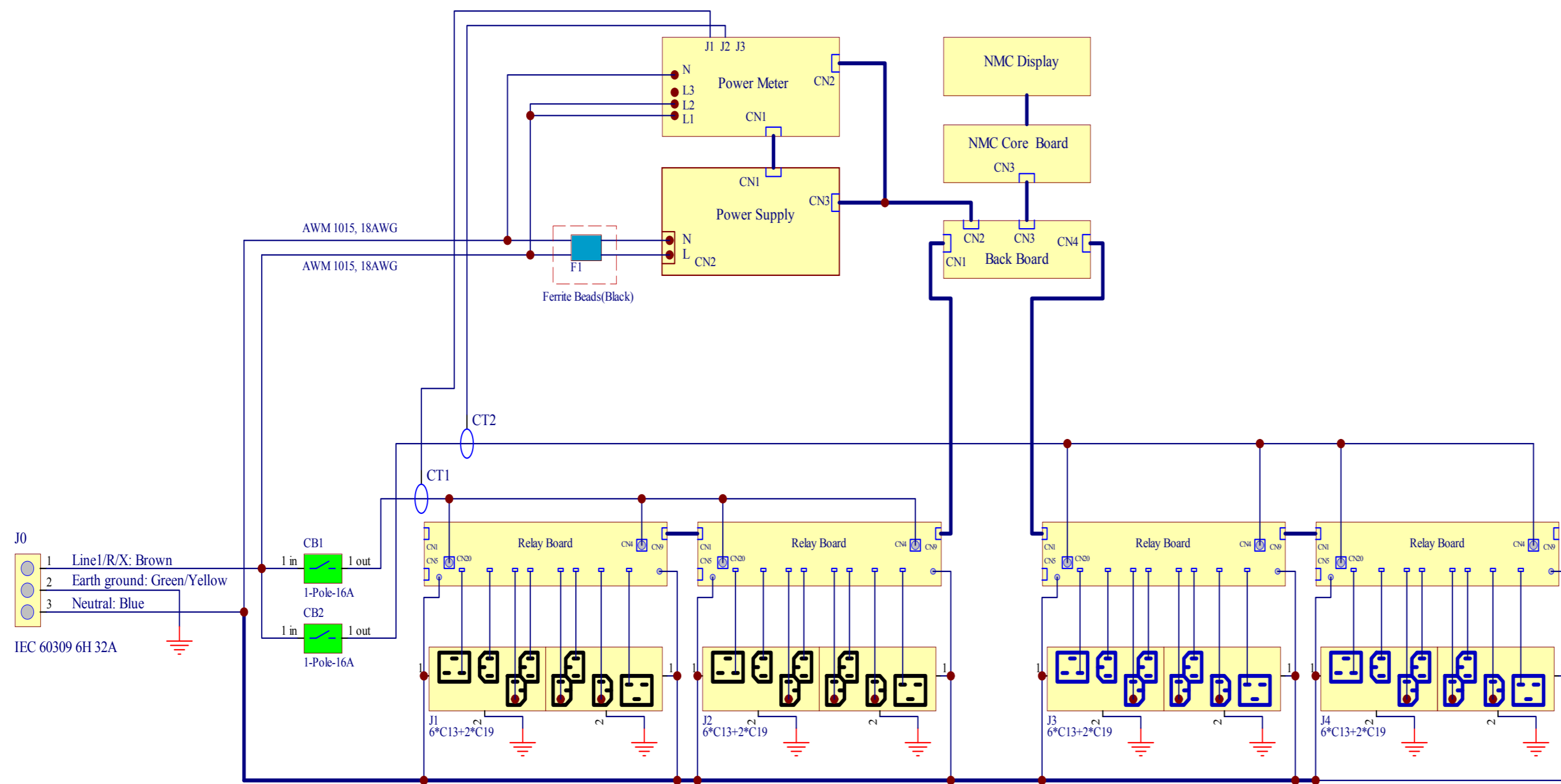
NEUTRAL WIRE COLOR:

UL AWM 1015, 10 & 12 & 18AWG

BROWN

GREEN/YELLOW STRIPE

BLUE



INTERNAL WIRING SCHEMATIC

UNLESS NOTED, DIMENSIONS IN MILLIMETERS & TOLERANCES ARE: X ± 1 MM X.X ± 0.5 MM X.XX ± 0.20 MM ØX.X ± 0.4 MM ØX.XX ± 0.20 MM BRACKETED DIMENSIONS ARE IN INCHES FOR REFERENCE ONLY THIRD ANGLE PROJECTION IF 2D AND 3D DIFFER, 2D SHALL TAKE PRECEDENCE	DESIGNER & DATE: Wanbin Liu 2019-3-13		DESCRIPTION: EN2.0 PDU	
	STANDARDIZATION/CHECKER & DATE: Hanson Xu 2019-3-15			
	DFM & DATE: Talon Lv 2019-3-15	APPROVER & DATE: Kanson Ren 2019-3-15	P/N: TA-EN2329	REV: E1
	MATERIAL: Assembly	SCALE 1:5 (DO NOT SCALE DRAWING)	SIZE: A2	SHEET 2 OF 2