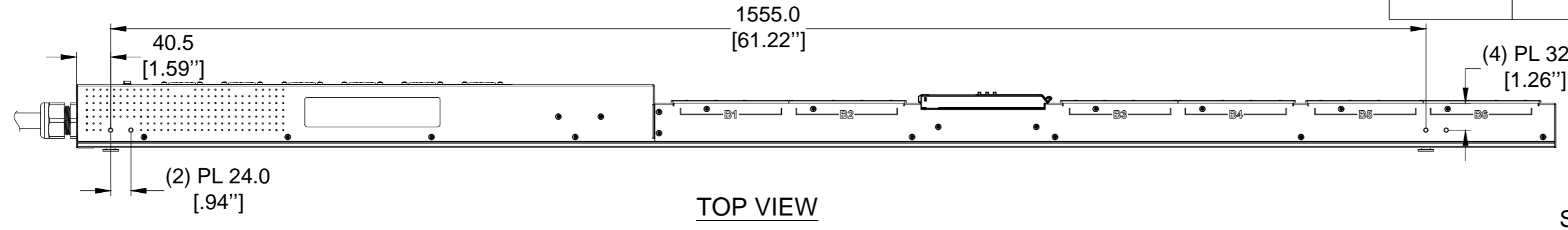
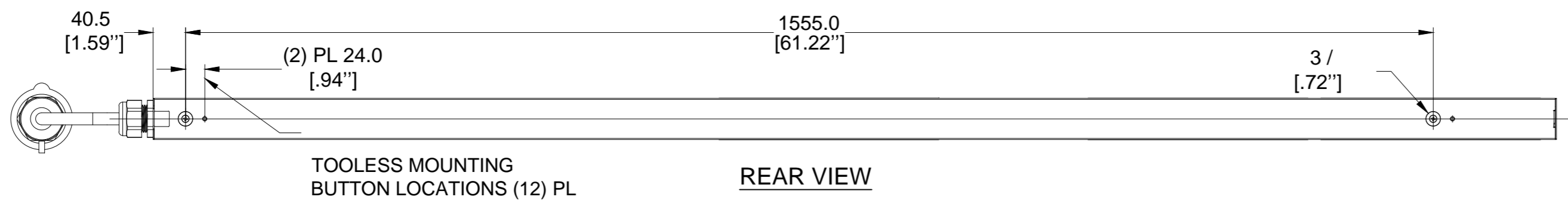


THE INFORMATION CONTAINED IN THIS DRAWING IS THE SOLE PROPERTY OF CIS. ANY REPRODUCTION IN PART OR WHOLE WITHOUT WRITTEN PERMISSION OF CIS IS PROHIBITED.

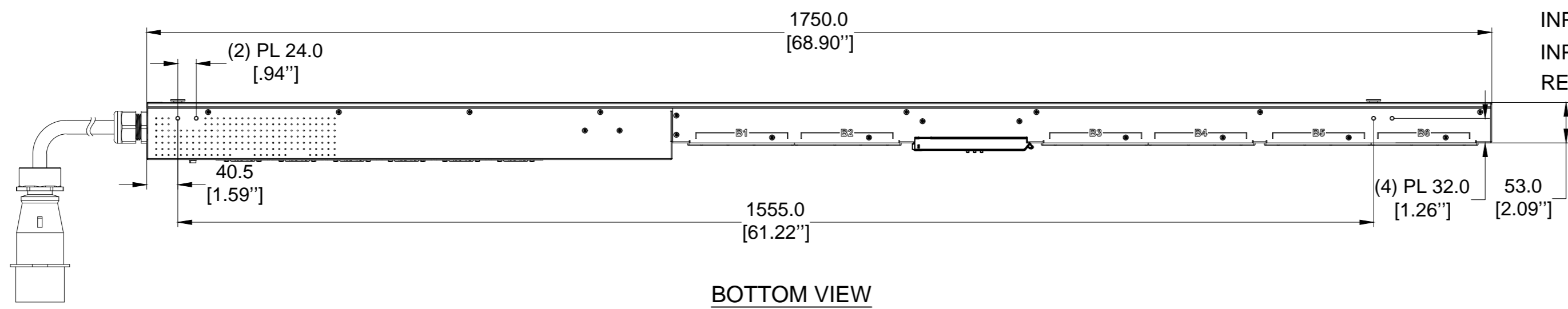
REVISIONS				SIGN	DATE
ECN/ECD	PLACES	REV.	DESCRIPTION		
		E1	Design Release	Wanbin Liu	2019.3.13



TOP VIEW



REAR VIEW



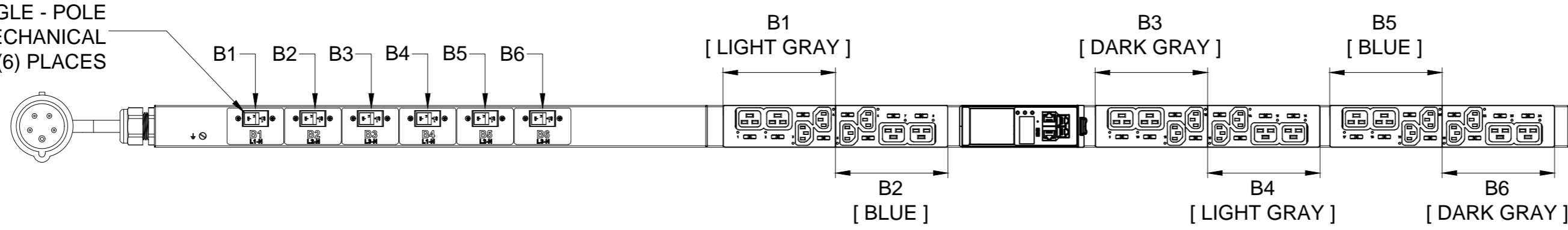
BOTTOM VIEW

**SPECIFICATION:**

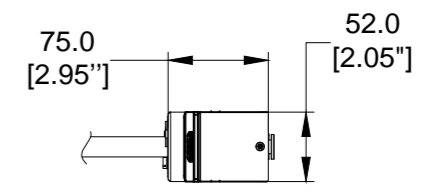
**1. STANDARD:**

UNIT TYPE:	MONITORED SWITCHED
ORIENTATION:	VERTICAL, 0U, FULL
OUTLET QTY&TYPE:	(12) C13, (12) C19
INPUT VOLTAGE:	200-240/346-415VAC
INPUT CURRENT:	32A
BREAKER QTY&TYPE:	(6) 16AMP, SINGLE-POLE
INPUT PHASE:	THREE-PHASE WYE
RATED POWER:	22.0kVA
INPUT PLUG:	IEC 60309 3P+N+E 6H 32A
INPUT POWER CORD:	3m[10'], TOP FEED
REGULATORY STANDARD:	RoHS COMPLIANT

16 AMP, SINGLE - POLE  
ELECTRO MECHANICAL  
SWITCH / BREAKER (6) PLACES



FRONT VIEW

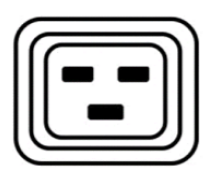


RIGHT VIEW

**PLUG/RECEPTACLE BLOCK**



**PLUG**  
IEC 60309, 4P 5W, 6H  
IP44 (SPASHPROOF)  
32A, 346 #15V MAX RATED INPUT



**RECEPTACLES**  
IEC 60320/C19  
16A, 250V MAX RATED OUTPUT



**RECEPTACLES**  
IEC 60320/C13  
10A, 250V MAX RATED OUTPUT

UNLESS NOTED, DIMENSIONS IN MILLIMETERS & TOLERANCES ARE:

X	± 1	MM	X°	± 1°
X.X	± 0.5	MM	X.X°	± 0.5°
X.XX	± 0.20	MM		
ØX.X	± 0.4	MM		
ØX.XX	± 0.20	MM		

BRACKETED DIMENSIONS ARE IN INCHES FOR REFERENCE ONLY

THIRD ANGLE PROJECTION

IF 2D AND 3D DIFFER, 2D SHALL TAKE PRECEDENCE

DESIGNER & DATE:	Wanbin Liu 2019-3-13
STANDARDIZATION/CHECKER & DATE:	Hanson Xu 2019-3-15
DFM & DATE:	Talon Lv 2019-3-15
APPROVER & DATE:	Kanson Ren 2019-3-15
ITEM WEIGHT (REFERENCE ONLY):	
MATERIAL:	Assembly

	DESCRIPTION:	EN2.0 PDU
	P/N:	TA-EN2808
	REV:	E1
	SCALE 1:5 (DO NOT SCALE DRAWING)	SIZE: A2
		SHEET 1 OF 2

THE INFORMATION CONTAINED IN THIS DRAWING IS THE SOLE PROPERTY OF CIS. ANY REPRODUCTION IN PART OR WHOLE WITHOUT WRITTEN PERMISSION OF CIS IS PROHIBITED.

**enLOGIC** Power Distribution Unit

SKU #: EN2808  
Model #: EP22032-0010  
INPUT: 200-240/346-415VAC, WYE, 3PHASE, 50/60Hz, 32A  
OUTPUT: C13; 200-240VAC, 10A per outlet  
C19; 200-240VAC, 16A per outlet  
32A Total  
Mac Address: XX-XX-XX-XX-XX-XX

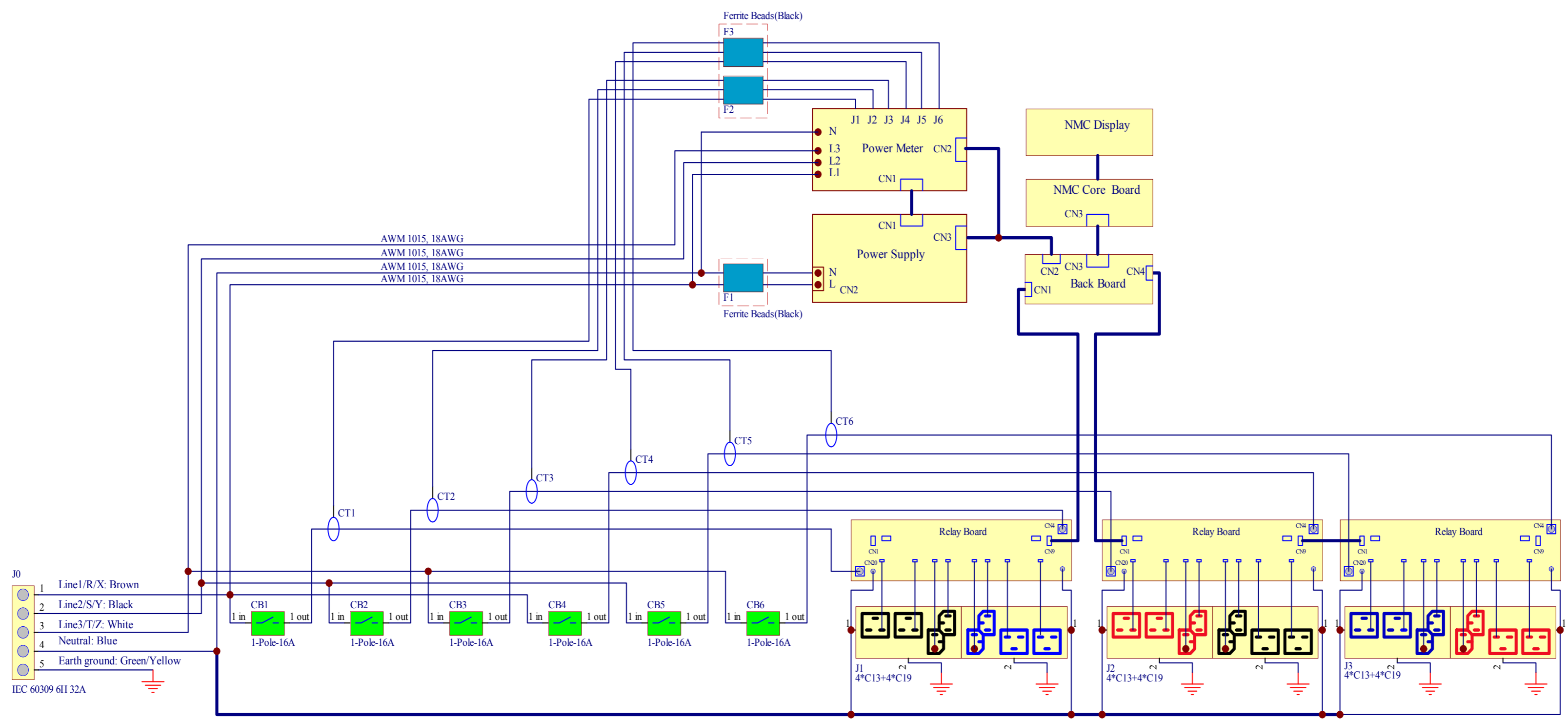
CIS Global LLC  
1791 W Dally Place,  
Suite 105, Tucson,  
Arizona 85705  
USA  
USED IN ITE

Mfr. Name: ASIA PACIFIC CIS (WUXI) CO. LTD

**COMPLIANCE LABEL**

**NOTES:**

- 1. INTERNAL WIRING:**
- WIRE TYPE: UL AWM 1015, 10 & 12 & 18AWG
  - LINE 1/R/X COLOR: BROWN
  - LINE 2/S/Y COLOR: BLACK
  - LINE 3/T/Z COLOR: WHITE
  - EARTH GROUND COLOR: GREEN/YELLOW STRIPE
  - NEUTRAL WIRE COLOR: BLUE



**INTERNAL WIRING SCHEMATIC**

<p style="font-size: x-small;">UNLESS NOTED, DIMENSIONS IN MILLIMETERS &amp; TOLERANCES ARE:</p> <p>X ± 1 MM X.X ± 0.5 MM X.XX ± 0.20 MM ØX.X ± 0.4 MM ØX.XX ± 0.20 MM</p> <p style="font-size: x-small;">BRACKETED DIMENSIONS ARE IN INCHES FOR REFERENCE ONLY</p> <p style="text-align: center;">THIRD ANGLE PROJECTION</p> <p style="font-size: x-small;">IF 2D AND 3D DIFFER, 2D SHALL TAKE PRECEDENCE</p>	<p>DESIGNER &amp; DATE: Wanbin Liu 2019-3-13</p> <p>STANDARDIZATION/CHECKER &amp; DATE: Hanson Xu 2019-3-15</p> <p>DFM &amp; DATE: Talon Lv 2019-3-15</p> <p>APPROVER &amp; DATE: Kanson Ren 2019-3-15</p> <p>ITEM WEIGHT (REFERENCE ONLY):</p>		<p>DESCRIPTION: <b>EN2.0 PDU</b></p>	<p>P/N: <b>TA-EN2808</b></p>	<p>REV: <b>E1</b></p>
	<p>MATERIAL: <b>Assembly</b></p>				