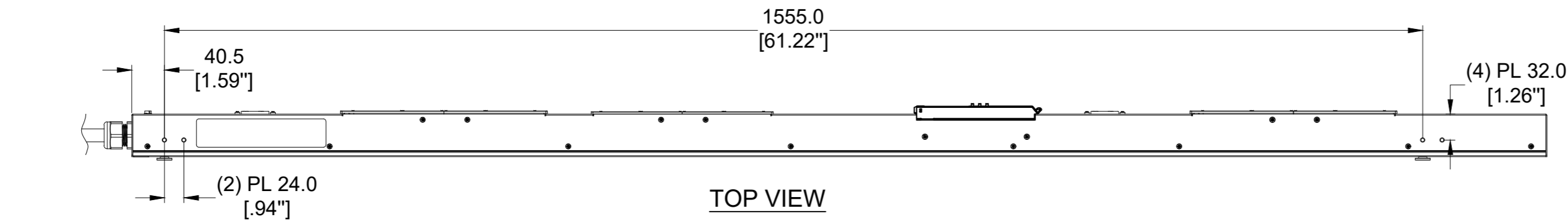
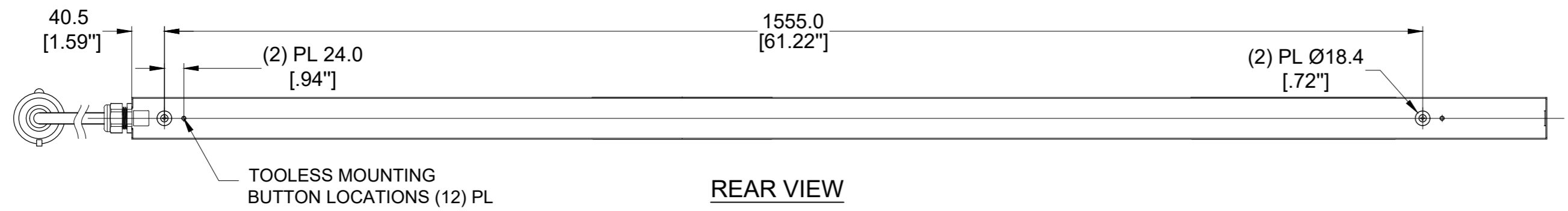


THE INFORMATION CONTAINED IN THIS DRAWING IS THE SOLE PROPERTY OF CIS. ANY REPRODUCTION IN PART OR WHOLE WITHOUT WRITTEN PERMISSION OF CIS IS PROHIBITED.

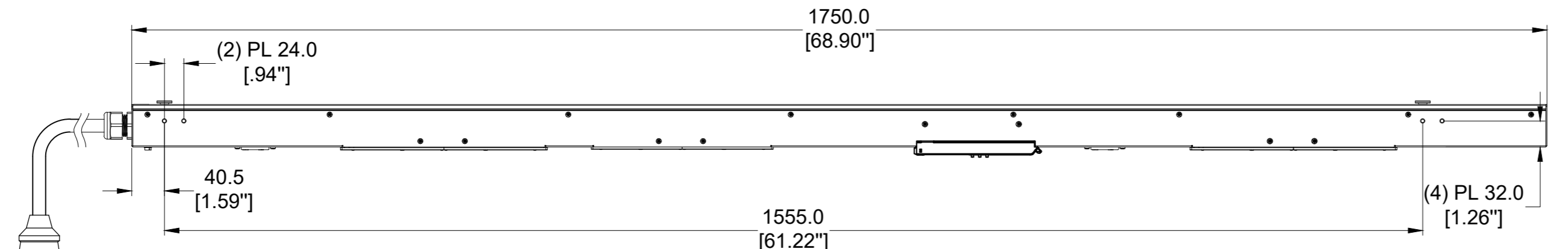
ECN/ECD		PLACES	REV.	REVISIONS		SIGN	DATE
			E1	DESCRIPTION	Design Release	Wanbin Liu	2019.3.13



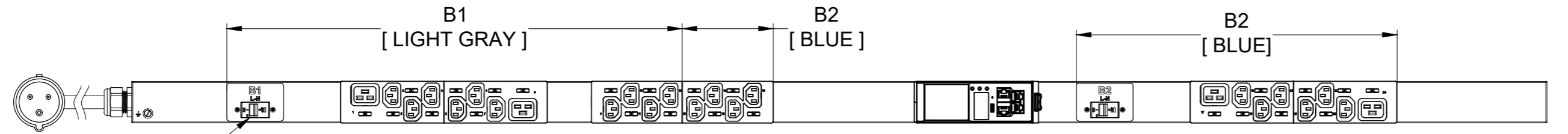
TOP VIEW



REAR VIEW



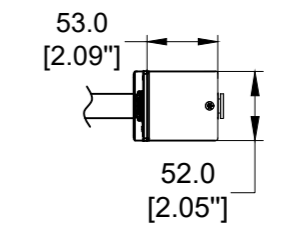
BOTTOM VIEW



FRONT VIEW

SPECIFICATION:

1. STANDARD:
- | | |
|----------------------|------------------------|
| UNIT TYPE: | MONITORED OUTLET |
| ORIENTATION: | VERTICAL, 0U FULL |
| OUTLET QTY&TYPE: | (20) C13, (4) C19 |
| INPUT VOLTAGE: | 100-240VAC |
| INPUT CURRENT: | 32A |
| BREAKER QTY&TYPE: | (2) 16AMP, SINGLE-POLE |
| INPUT PHASE: | SINGLE-PHASE |
| RATED POWER: | 7.4kVA |
| INPUT PLUG: | IEC 60309 2P+E 6H 32A |
| INPUT POWER CORD: | 3m[10'], TOP FEED |
| REGULATORY STANDARD: | RoHS COMPLIANT |



RIGHT VIEW

PLUG/RECEPTACLE BLOCK

	PLUG IEC 60309, 2P 3W, 6H IP44 (SPASHPROOF) 32A, 200-250V MAX RATED INPUT
	RECEPTACLES IEC 60320/C19 16A, 250V MAX RATED OUTPUT
	RECEPTACLES IEC 60320/C13 10A, 250V MAX RATED OUTPUT

UNLESS NOTED, DIMENSIONS IN MILLIMETERS & TOLERANCES ARE:

X	± 1	MM	X°	± 1°
X.X	± 0.5	MM	X.X°	± 0.5°
X.XX	± 0.20	MM		
ØX.X	± 0.4	MM		
ØX.XX	± 0.20	MM		

BRACKETED DIMENSIONS ARE IN INCHES FOR REFERENCE ONLY

THIRD ANGLE PROJECTION

IF 2D AND 3D DIFFER, 2D SHALL TAKE PRECEDENCE

DESIGNER & DATE: Wanbin Liu 2019-3-13
STANDARDIZATION/CHECKER & DATE: Hanson Xu 2019-3-15
DFM & DATE: Talon Lv 2019-3-15
APPROVER & DATE: Kanson Ren 2019-3-15
ITEM WEIGHT (REFERENCE ONLY):
MATERIAL: Assembly

	DESCRIPTION: EN2.0 PDU
	P/N: TA-EN5325
SCALE 1:5 (DO NOT SCALE DRAWING)	SIZE: A2
SHEET 1 OF 2	REV: E1

THE INFORMATION CONTAINED IN THIS DRAWING IS THE SOLE PROPERTY OF CIS. ANY REPRODUCTION IN PART OR WHOLE WITHOUT WRITTEN PERMISSION OF CIS IS PROHIBITED.

enLOGIC

SKU #: EN5325
 Model #: EP55032-0013
 INPUT: 100-240VAC, 1PHASE, 50/60Hz, 32A
 OUTPUT: C13; 100-240VAC, 10A per outlet
 C19; 100-240VAC, 16A per outlet
 32A Total
 Mac Address: XX-XX-XX-XX-XX-XX

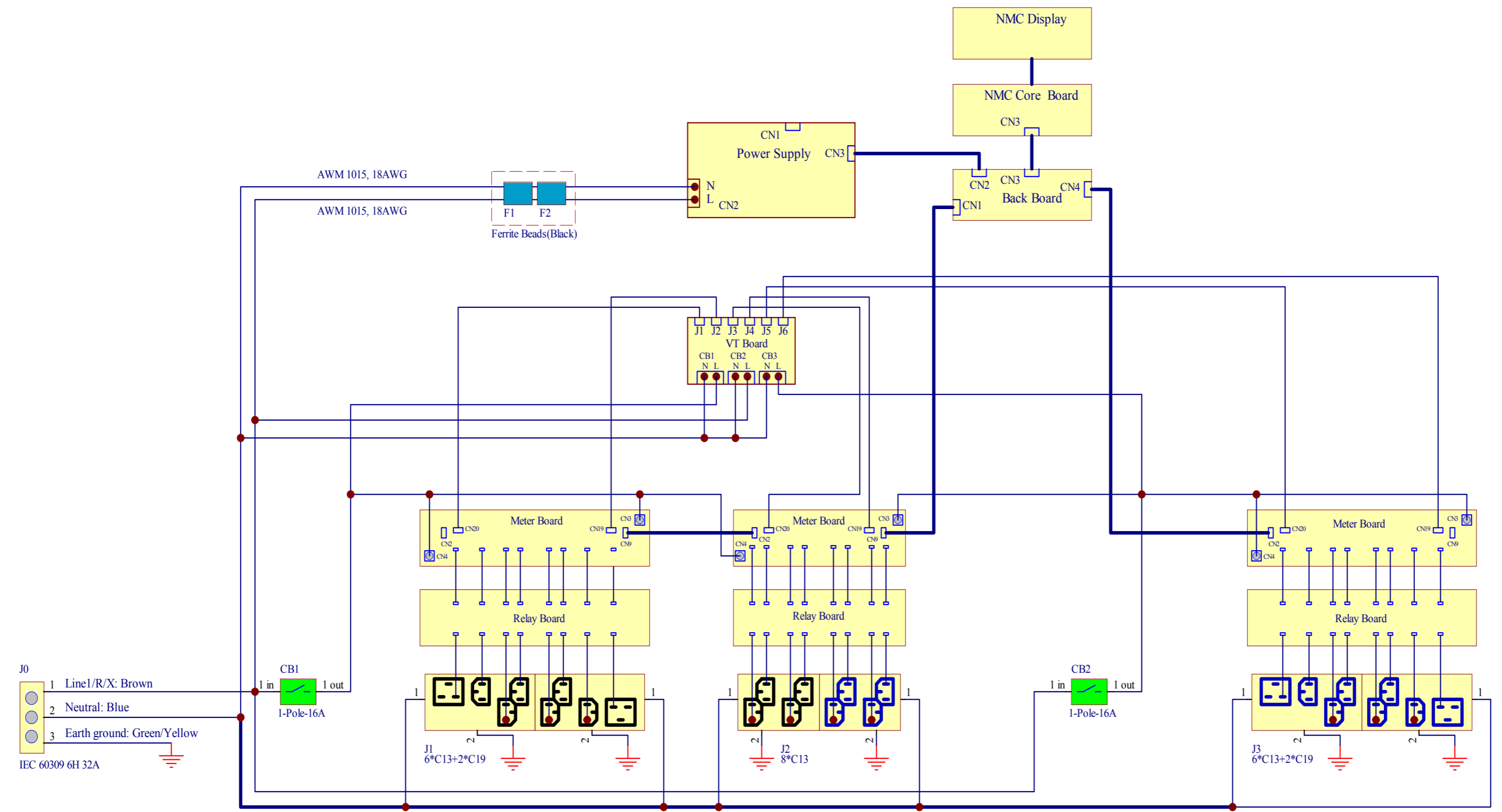
CIS Global LLC
 1751 W Dairy Place,
 Suite 105, Tucson,
 Arizona 85705
 USED IN ITE

SKU#: EN5325
 Serial Number
 CNXXXXXXX
 Made in China
 Mfr Name: ASIA PACIFIC CIS(WUXI)CO LTD

COMPLIANCE LABEL

NOTES:

- 1. INTERNAL WIRING:
- WIRE TYPE: UL AWM 1015, 10 & 12 & 18AWG
- LINE 1/R/X COLOR: BROWN
- EARTH GROUND COLOR: GREEN/YELLOW STRIPE
- NEUTRAL WIRE COLOR: BLUE



INTERNAL WIRING SCHEMATIC

UNLESS NOTED, DIMENSIONS IN MILLIMETERS & TOLERANCES ARE: X. ± 1 MM X.X ± 0.5 MM X.XX ± 0.20 MM ØX.X ± 0.4 MM ØX.XX ± 0.20 MM	DESIGNER & DATE: Wanbin Liu 2019-3-13	ASIA PACIFIC CIS WUXI CHINA	DESCRIPTION: EN2.0 PDU
	STANDARDIZATION/CHECKER & DATE: Hanson Xu 2019-3-15		
BRACKETED DIMENSIONS ARE IN INCHES FOR REFERENCE ONLY	APPROVER & DATE: Kanson Ren 2019-3-15	P/N: TA-EN5325	REV: E1
THIRD ANGLE PROJECTION	ITEM WEIGHT (REFERENCE ONLY): Assembly	SCALE 1:5 (DO NOT SCALE DRAWING)	SIZE: A2 SHEET 2 OF 2