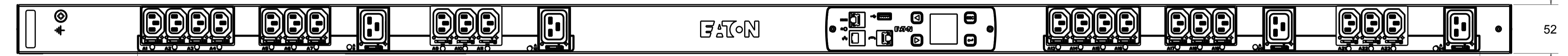
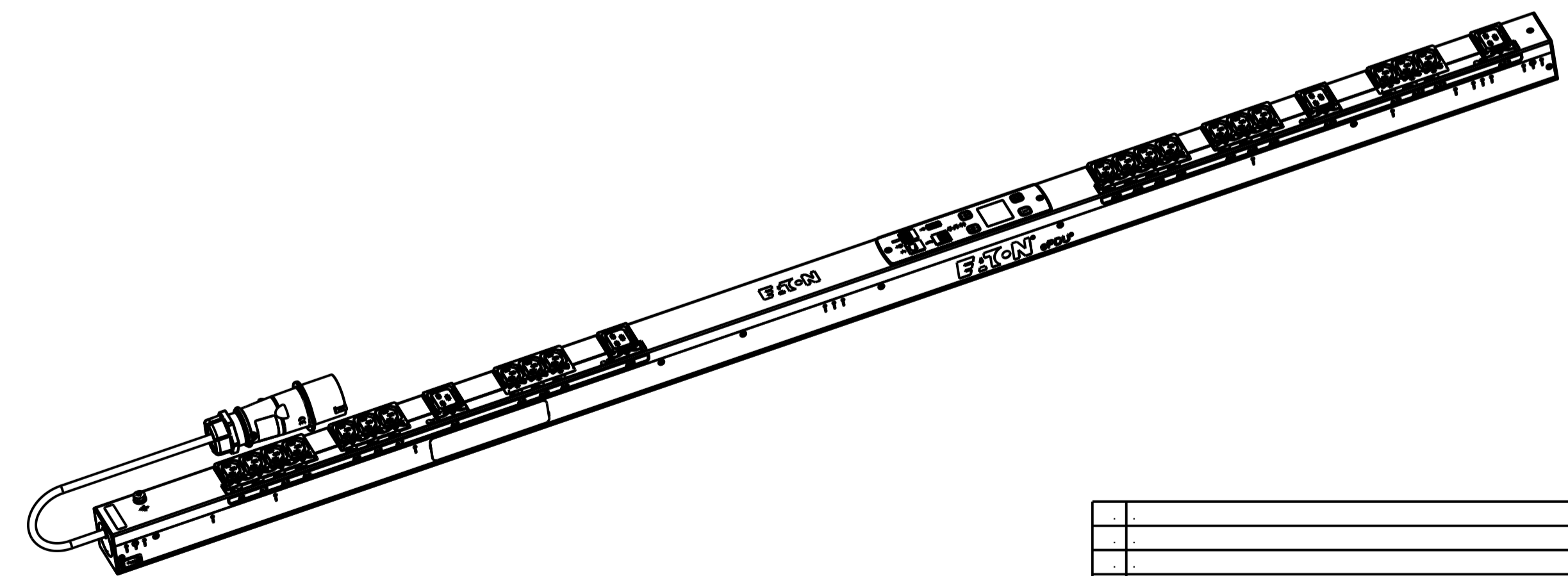
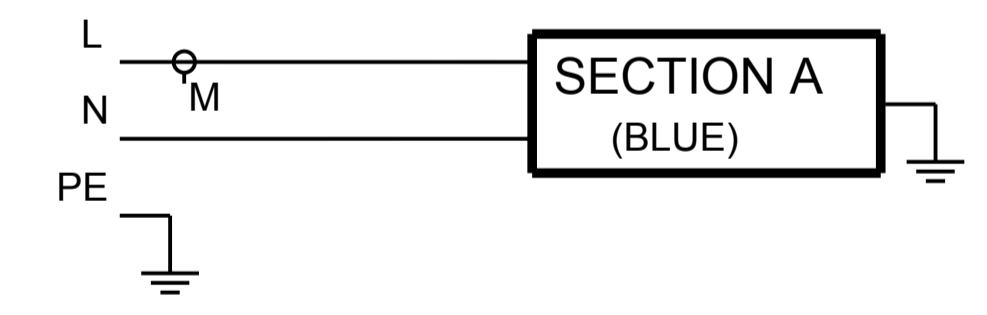


CABLE LENGTH SHOWN NOT TO SCALE



SECTION A
BLUE

CIRCUIT SCHEMATIC



SCALE 0.200

EMAB04		G3 MANAGED	
FUNCTIONALITY	INPUT	OUTPUT	ENVIRONMENTAL
CURRENT POWER AND ENERGY METERING FOR INPUT AND BRANCH AND OUTLETS. INDIVIDUAL OUTLET CONTROL	IEC 60309-2 16A 230V~ W+N+PE 1.5MM HO5 POWER CORD CABLE LENGTH: 3.0 M	(20) IEC 60320 C13 GRIP (4) IEC 60320 C19 GRIP	0 TO 60 ° C
MECHANICAL	INPUT RATING	OUTPUT RATING	CERTIFICATIONS
LENGTH: 1604MM WIDTH: 52 MM DEPTH: 53MM ALUMINIUM CHASSIS, BLACK MNT PATTERN SK-23919-Y1	1Ø; 200-240V~;W+N+PE 50/60HZ 16A	200-240V~;50/60HZ 10A PER C13;16A PER C19 16A MAX TOTAL	CE, CB
CIRCUIT BREAKERS	FILTER AND SPIKE/SURGE	ACCESSORIES	CONFIGURATION
NONE	NONE	STANDARD KSP015 - VERT INSTALL NETWORK PACK OPTIONAL EMP001 - ENVIRONMENTAL PROBE	EMA6CE7FABH77AM

02 REVISED TEMPERATURE RATING OF CERTIFICATION.		05.02.2015	G.McD.	M.B.
01 REVISED TECHNOLOGY TYPE, CERTIFICATION CODE AND FUNCTIONALITY.		28.10.2014	G.McD.	M.B.
REV. MODIFICATION		DATE	DESSINER	VERIF.
EATON HEINEMANN PRODUCTS		VUE/VIEW EUROPE: 4/10	ECHELLE / SCALE	N° MAG EMAB04
CH-1345 LE LIEU SWITZERLAND		DESSINE LE / DRAWED THE	25.08.2014	
		PAR / BY	G.McD.	
TOLERANCE GENERALE / GENERAL TOLERANCE		VERIFIE PAR / VERIFIED BY M.B.		
TRAITEMENT / FINISH NA				
MATIERE / MATERIAL NA				
NIVEAU DU CERTIFICAT DE SOUMISSION REQUIS / SAMPLES APPROVAL PROCESS REPORT X		DIMENSIONS AND TOLERANCES IN MILLIMETERS		
DESIGNATION	EPDU MA 0U (309 16A 1P)20XC13:4XC19	SK-41619-Y1	02	
COTES A CONTROLER / INSPECTION DIMENSIONS	XX.XX	COTES FONCTIONNELLES / FUNCTIONAL DIMENSIONS	# XX.XX	NUMERO DU PLAN / PLAN NUMBER
Ce document est propriété de Eaton Industries Manufacturing GmbH. Duplication interdite sans autorisation. This document is Eaton Industries Manufacturing GmbH property. Duplication forbidden without authorization.				