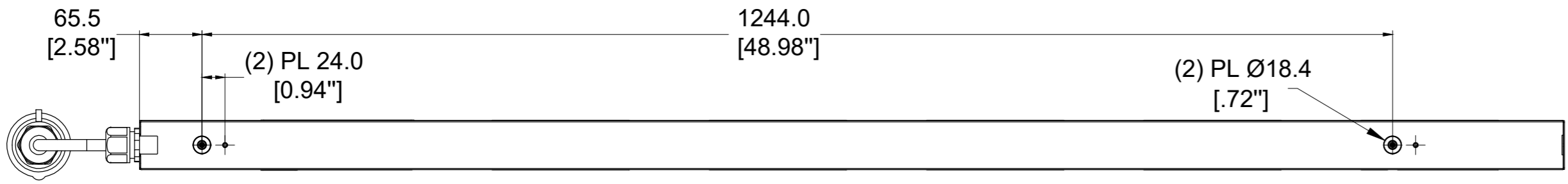
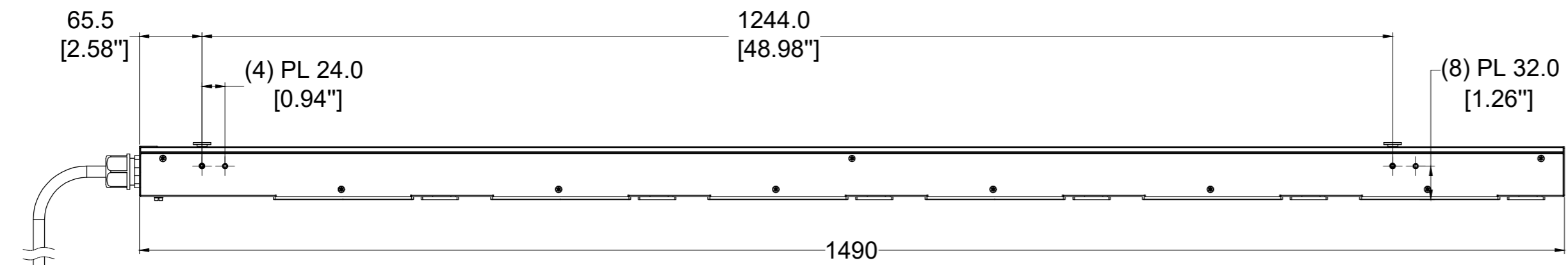


THE INFORMATION CONTAINED IN THIS DRAWING IS THE SOLE PROPERTY OF CIS. ANY REPRODUCTION IN PART OR WHOLE WITHOUT WRITTEN PERMISSION OF CIS IS PROHIBITED.

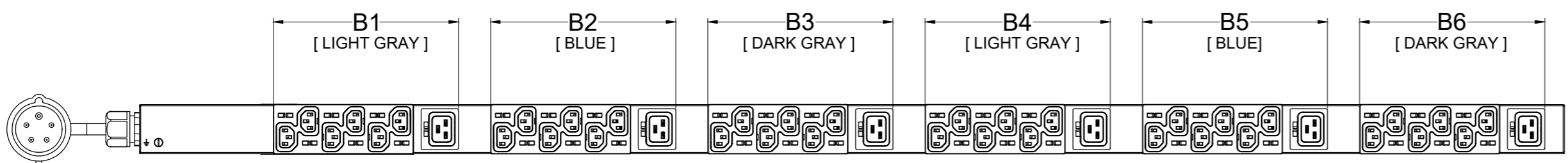
REVISIONS					
ECN/ECD	PLACES	REV.	DESCRIPTION	SIGN	DATE
		E1	Design Release	Wanbin Liu	2019.4.9



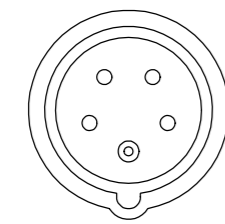
REAR VIEW




BOTTOM VIEW




FRONT VIEW



PLUG
16 AMP, 230/400V x 3~ WYE
4P/5W
IEC 60309, SPLASHPROOF IP44
2Q (S); 4R (W), 6H



RECEPTACLES
16 AMP, 250V
STRAIGHT BLADE
IEC 60320 / C19



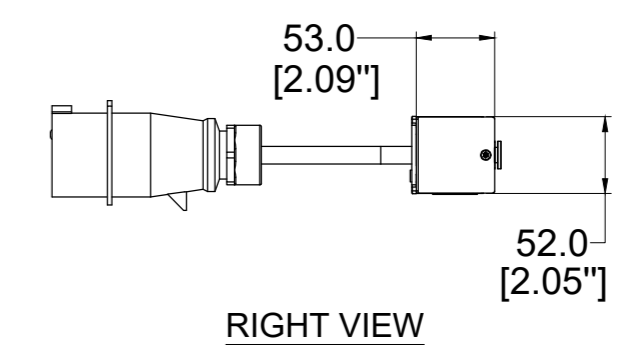
RECEPTACLES
10 AMP, 250V
STRAIGHT BLADE
IEC 60320 / C13

SPECIFICATION:
1. STANDARD:


UNIT TYPE:	BASIC
ORIENTATION:	VERTICAL, MID
OUTLET QTY&TYPE:	(36) C13, (6) C19
BREAKER QTY&TYPE:	N/A
INPUT VOLTAGE:	200-240/346-415VAC, WYE
INPUT CURRENT:	16A
INPUT PHASE:	THREE-PHASE WYE
RATED POWER:	11.0kVA
INPUT PLUG:	IEC 60309 3P+N+E 6H 16A
INPUT CORD LENGTH:	3m [10'], TOP FEED
REGULATORY STANDARD:	RoHS COMPLIANT

NOTE:

1. PRIMARY DIMENSIONS ARE IN MILLIMETERS. SECONDARY DIMENSION ARE IN INCHES



RIGHT VIEW

UNLESS NOTED, DIMENSIONS IN MILLIMETERS & TOLERANCES ARE: X. ± 1 MM X.X ± 0.5 MM X.XX ± 0.20 MM ØX.X ± 0.4 MM ØX.XX ± 0.20 MM	DESIGNER & DATE: Wanbin Liu 2019-4-9			
	STANDARDIZATION/CHECKER & DATE: Hanson Xu 2019-4-11			
	DFM & DATE: Talon Lv 2019-4-11	DESCRIPTION: EN2.0 PDU		
	APPROVER & DATE: Kanson Ren 2019-4-11	P/N: EB0403	REV: E1	
IF 2D AND 3D DIFFER, 2D SHALL TAKE PRECEDENCE	MATERIAL: Assembly	SCALE 1:5 (DO NOT SCALE DRAWING)	SIZE: A2	SHEET 1 OF 2

Power Distribution Unit

enLOGIC

SKU #: EB0403
 Model #: EP02016-0016
 INPUT: 200-240/346-415VAC, WYE, 3PHASE, 50/60Hz, 16A
 OUTPUT: C13; 200-240VAC, 10A per outlet
 C19; 200-240VAC, 16A per outlet
 16A Total

CE D

CIS Global LLC
 1791 W Dairy Place,
 Suite 185, Tucson,
 Arizona 85705

USED IN ITE

SKU#:
EB0403

Serial Number
CNXXXXXXXX

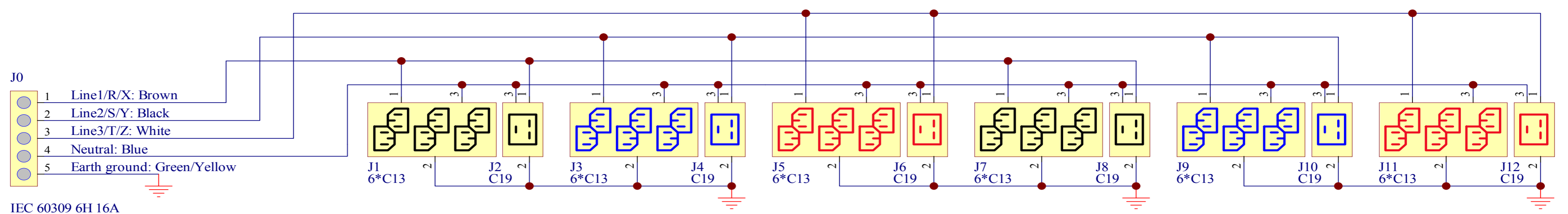
Made In China

Mfr.Name:ASIA PACIFIC CIS(WUXI)CO LTD

COMPLIANCE LABEL

NOTES:

1. INTERNAL WIRING:
- | | |
|---------------------|---------------------|
| WIRE TYPE: | UL AWM 1015, 12AWG |
| LINE 1/R/X COLOR: | BROWN |
| LINE 2/S/Y COLOR: | BLACK |
| LINE 3/T/Z COLOR: | WHITE |
| EARTH GROUND COLOR: | GREEN/YELLOW STRIPE |
| NEUTRAL WIRE COLOR: | BLUE |



INTERNAL WIRING SCHEMATIC

IEC 60309 6H 16A

UNLESS NOTED, DIMENSIONS IN MILLIMETERS & TOLERANCES ARE: X. ± 1 MM X.X ± 0.5 MM X.XX ± 0.20 MM ØX.X ± 0.4 MM ØX.XX ± 0.20 MM BRACKETED DIMENSIONS ARE IN INCHES FOR REFERENCE ONLY THIRD ANGLE PROJECTION IF 2D AND 3D DIFFER, 2D SHALL TAKE PRECEDENCE	DESIGNER & DATE: Wanbin Liu 2019-4-9	ASIA PACIFIC CIS WUXI CHINA	DESCRIPTION: EN2.0 PDU P/N: EB0403 REV: E1
	STANDARDIZATION/CHECKER & DATE: Hanson Xu 2019-4-11		
	DFM & DATE: Talon Lv 2019-4-11	APPROVER & DATE: Kanson Ren 2019-4-11	
	ITEM WEIGHT (REFERENCE ONLY): Assembly	SCALE 1:5 (DO NOT SCALE DRAWING) SIZE: A2 SHEET 2 OF 2	