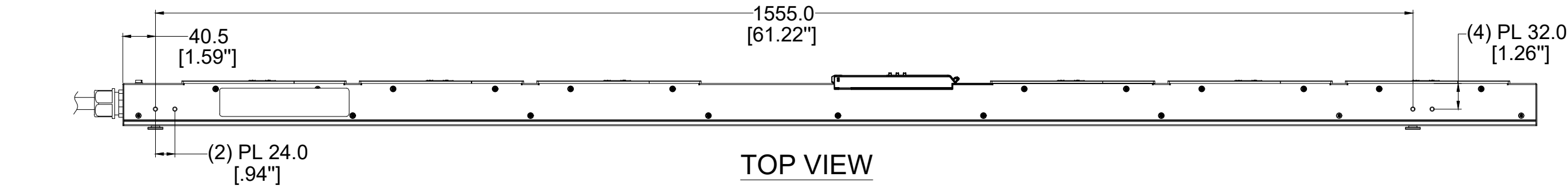
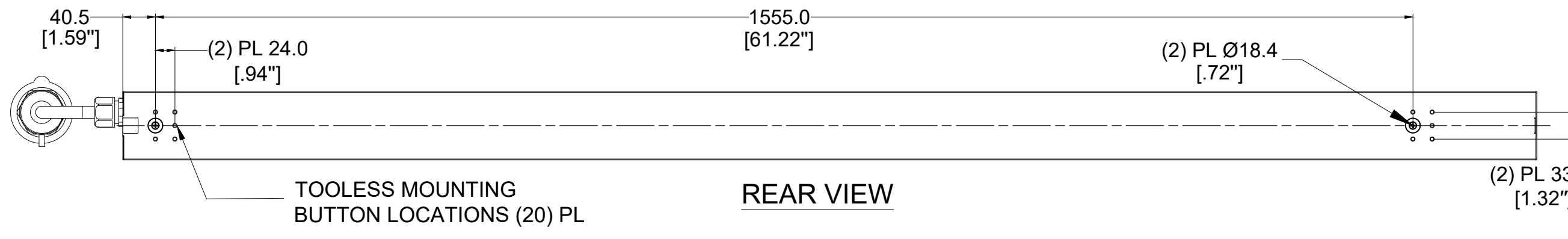


THE INFORMATION CONTAINED IN THIS DRAWING IS THE SOLE PROPERTY OF CIS. ANY REPRODUCTION IN PART OR WHOLE WITHOUT WRITTEN PERMISSION OF CIS IS PROHIBITED.

ECN/ECD		PLACES	REV.	REVISIONS		SIGN	DATE
			E1	DESCRIPTION		Wanbin Liu	2019.3.7
				Design Release			



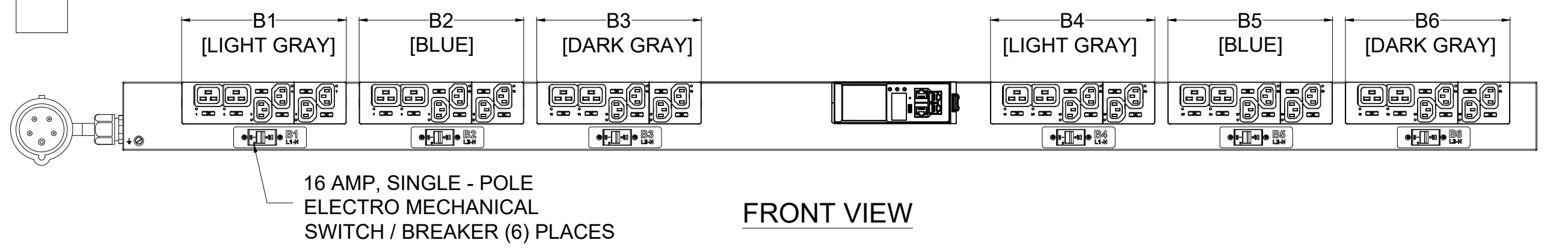
TOP VIEW



REAR VIEW




BOTTOM VIEW



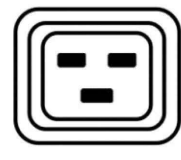
FRONT VIEW

16 AMP, SINGLE - POLE
ELECTRO MECHANICAL
SWITCH / BREAKER (6) PLACES

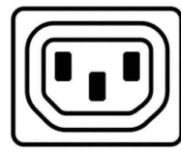
PLUG/RECEPTACLE BLOCK



PLUG
IEC 60309, 4P 5W, 6H
IP44 (SPASHPROOF)
32A, 346-415V MAX RATED INPUT



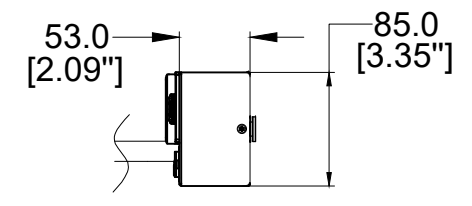
RECEPTACLES
IEC 60320/C19
16A, 250V MAX RATED OUTPUT




RECEPTACLES
IEC 60320/C13
10A, 250V MAX RATED OUTPUT

SPECIFICATION:

1. STANDARD:
- | | |
|----------------------|---------------------------------|
| UNIT TYPE: | MONITORED & SWITCHED PER OUTLET |
| ORIENTATION: | VERTICAL, 0U FULL, WIDE |
| OUTLET QTY & TYPE: | (24) C13, (12) C19 |
| INPUT VOLTAGE: | 200-240/346-415VAC |
| INPUT CURRENT: | 32A |
| BREAKER QTY & TYPE: | (6) 16AMP, SINGLE-POLE |
| INPUT PHASE: | THREE-PHASE WYE |
| RATED POWER: | 22.0kVA |
| INPUT PLUG: | IEC 60309 3P+N+E 6H 32A |
| INPUT POWER CORD: | 3m [10'], TOP FEED |
| REGULATORY STANDARD: | RoHS COMPLIANT |



RIGHT VIEW

UNLESS NOTED, DIMENSIONS IN MILLIMETERS & TOLERANCES ARE: X. ± 1 MM X.X ± 0.5 MM X.XX ± 0.20 MM ØX.X ± 0.4 MM ØX.XX ± 0.20 MM	DESIGNER & DATE: Wanbin Liu 2019-3-11	
	STANDARDIZATION/CHECKER & DATE: Hanson Xu 2019-3-11	
THIRD ANGLE PROJECTION	DFM & DATE: Talon Lv 2019-3-11	DESCRIPTION: EN2.0 PDU
	APPROVER & DATE: Kanson Ren 2019-3-11	P/N: TA-EN6810
IF 2D AND 3D DIFFER, 2D SHALL TAKE PRECEDENCE	MATERIAL: Assembly	SCALE 1:5 (DO NOT SCALE DRAWING) SIZE: A2 SHEET 1 OF 2

THE INFORMATION CONTAINED IN THIS DRAWING IS THE SOLE PROPERTY OF CIS. ANY REPRODUCTION IN PART OR WHOLE WITHOUT WRITTEN PERMISSION OF CIS IS PROHIBITED.

enLOGIC

SKU #: EN6810
 Model #: EP62032-0032
 INPUT: 200-240/346-415VAC, WYE, 3PHASE, 50/60Hz, 32A
 OUTPUT: C13; 200-240VAC, 10A per outlet
 C19; 200-240VAC, 16A per outlet
 32A Total
 Mac Address:XX-XX-XX-XX-XX-XX

Power Distribution Unit

CE D

CIS Global LLC
1791 W Dairy Place,
Suite 185, Tucson,
Arizona 85705

USED IN ITE

SKU#:
EN6810

Serial Number
CNXXXXXXXX

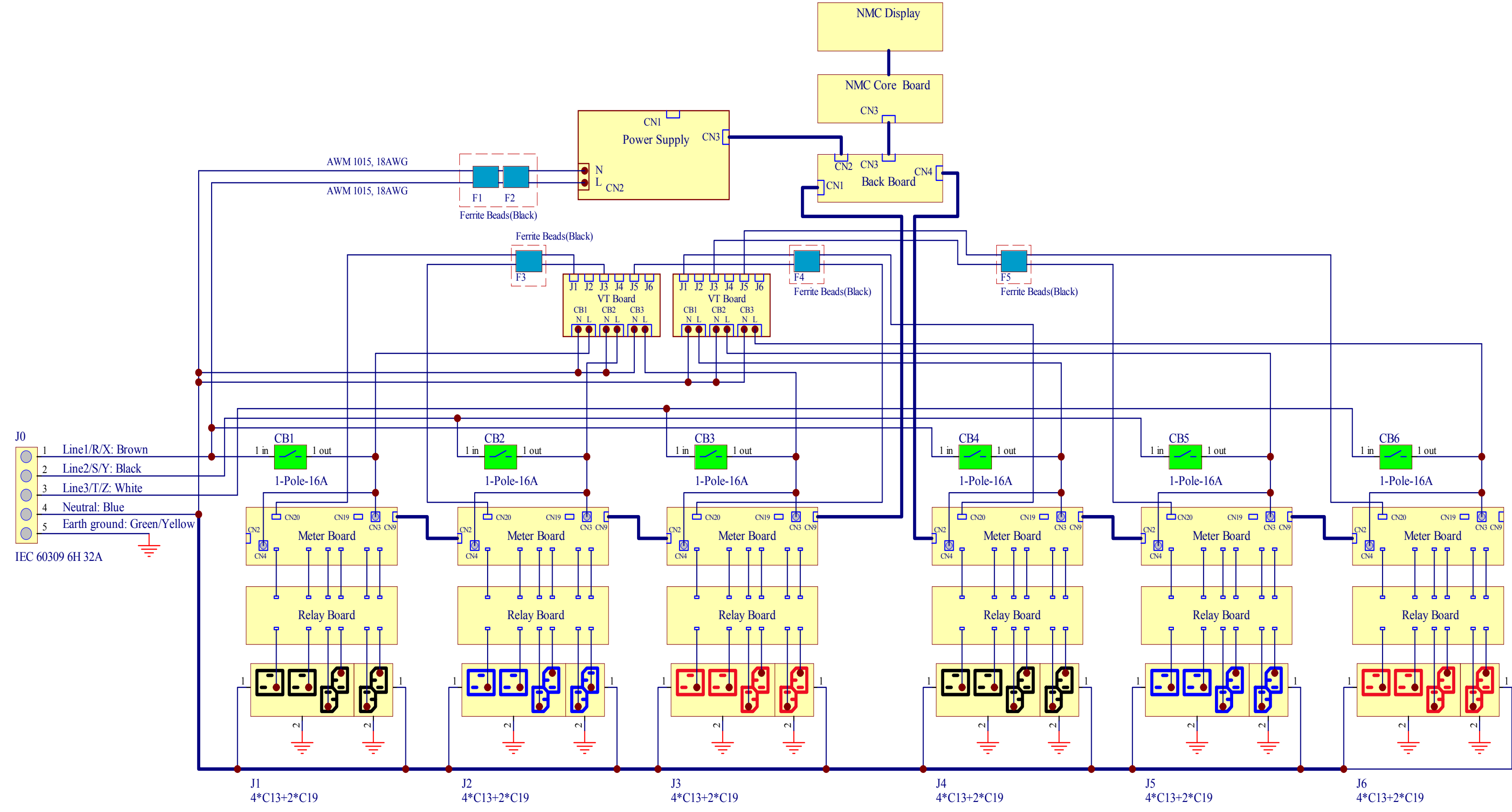
Made In China

Mfr.Name:ASIA PACIFIC CIS(WUXI)CO LTD

COMPLIANCE LABEL

NOTES:

1. INTERNAL WIRING:
- | | |
|---------------------|------------------------------|
| WIRE TYPE: | UL AWM 1015, 10 & 12 & 18AWG |
| LINE 1/R/X COLOR: | BROWN |
| LINE 2/S/Y COLOR: | BLACK |
| LINE 3/T/Z COLOR: | WHITE |
| EARTH GROUND COLOR: | GREEN/YELLOW STRIPE |
| NEUTRAL WIRE COLOR: | BLUE |



INTERNAL WIRING SCHEMATIC

UNLESS NOTED, DIMENSIONS IN MILLIMETERS & TOLERANCES ARE: X. ± 1 MM X.X ± 0.5 MM X.XX ± 0.20 MM ØX.X ± 0.4 MM ØX.XX ± 0.20 MM BRACKETED DIMENSIONS ARE IN INCHES FOR REFERENCE ONLY. THIRD ANGLE PROJECTION IF 2D AND 3D DIFFER, 2D SHALL TAKE PRECEDENCE	DESIGNER & DATE: Wanbin Liu 2019-3-13	ASIA PACIFIC CIS WUXI CHINA		
	STANDARDIZATION/CHECKER & DATE: Hanson Xu 2019-3-15			
	DFM & DATE: Talon Lv 2019-3-15	DESCRIPTION: EN2.0 PDU		
	APPROVER & DATE: Kanson Ren 2019-3-15	ITEM WEIGHT (REFERENCE ONLY):	P/N: TA-EN6810	REV: E1
MATERIAL: Assembly		SCALE 1:5 (DO NOT SCALE DRAWING)	SIZE: A2	SHEET 2 OF 2