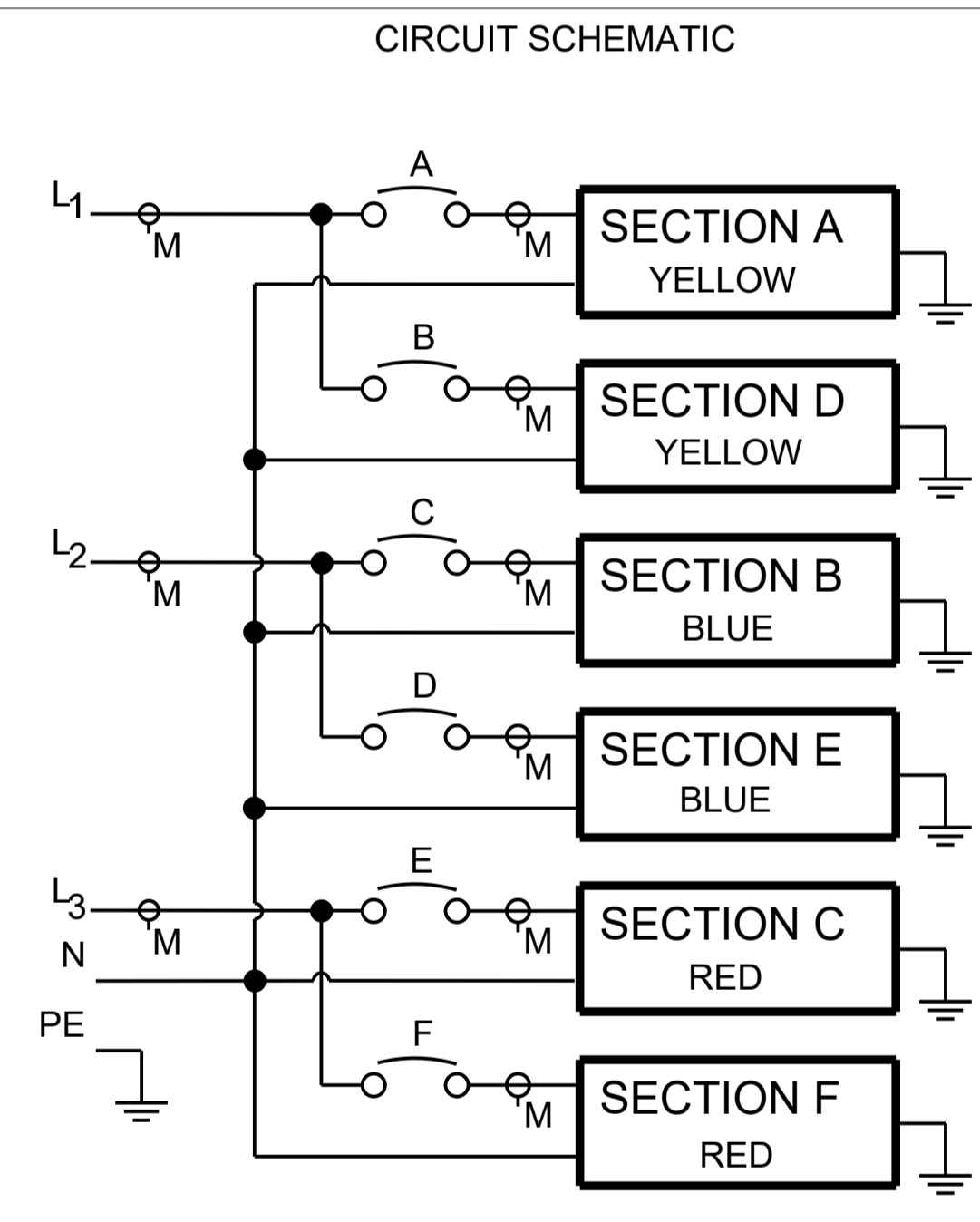
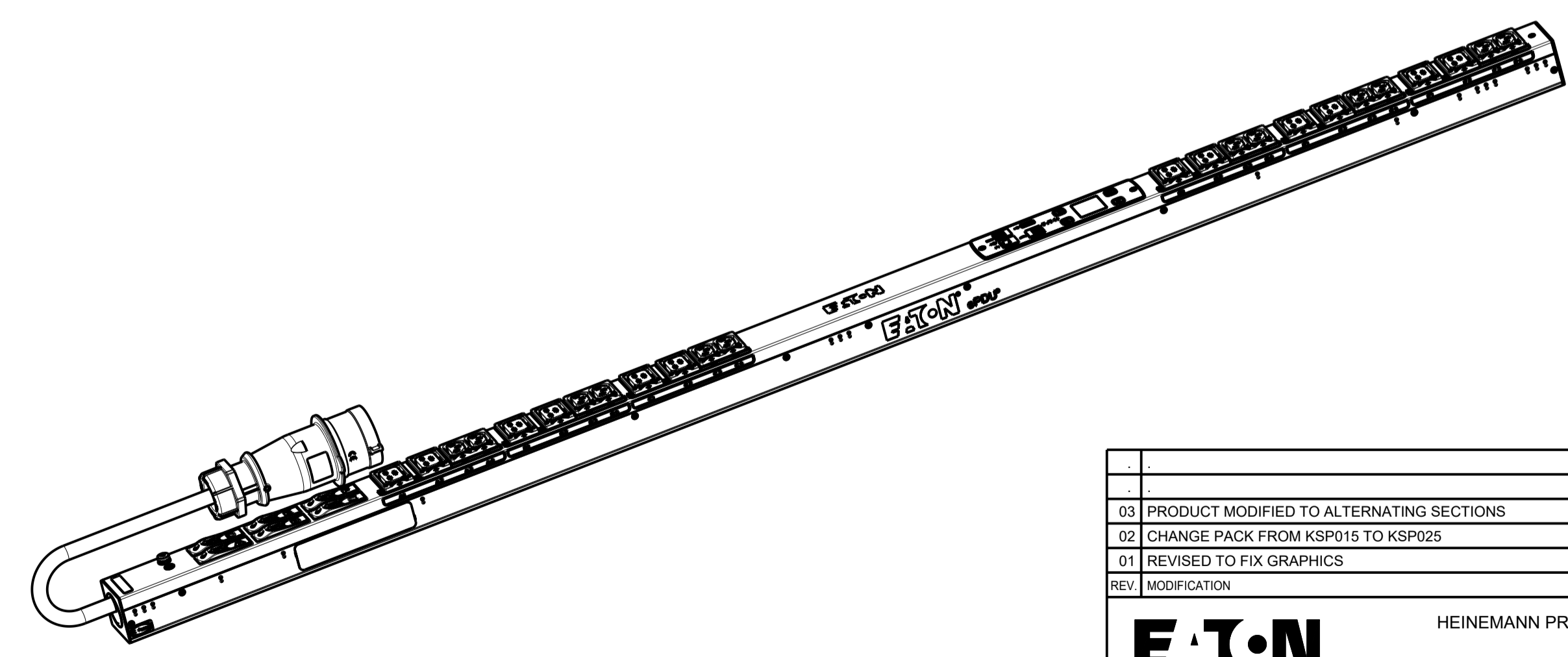


CABLE LENGTH SHOWN NOT TO SCALE



EMIB12		G3 METERED INPUT	
FUNCTIONALITY	INPUT	OUTPUT	ENVIRONMENTAL
CURRENT POWER AND ENERGY METERING FOR INPUT AND BRANCH	IEC 60309-2 32A 400V~ WYE, 3W+N+PE 4.0MM HO7 POWER CORD CABLE LENGTH: 3.0M	(12) IEC 60320 C13 GRIP (12) IEC 60320 C19 GRIP ALTERNATING SECTIONS	0 TO 60 °C
MECHANICAL	INPUT RATING	OUTPUT RATING	CERTIFICATIONS
LENGTH: 1604MM WIDTH: 52 MM DEPTH: 53MM ALUMINIUM CHASSIS, BLACK MNT PATTERN SK-23919-Y1	3Ø;346-415V~; WYE, 3W+N+PE 50/60HZ 32A	200-240V~;50/60HZ 10A PER C13;16A PER C19 16A MAX PER SECTION 32A MAX TOTAL	CE, CB
CIRCUIT BREAKERS	FILTER AND SPIKE/SURGE	ACCESSORIES	CONFIGURATION
(6) 16A 1-POLE	NONE	STANDARD KSP025 - VEPDU G3 EMEA VERT INSTALL NETWORK PACK KA35 OPTIONAL EMP001 - ENVIRONMENTAL PROBE	EMI3DH8FBJF77AM



PICTORIAL VIEW
SCALE 0.200

03	PRODUCT MODIFIED TO ALTERNATING SECTIONS	01.03.2019	AEK	M.B
02	CHANGE PACK FROM KSP015 TO KSP025	12.12.2017	AEK	M.B
01	REVISED TO FIX GRAPHICS	21.05.2014	G.McD.	M.B
REV	MODIFICATION	DATE	DESIGNER	VERIF
		HEINEMANN PRODUCTS		VUE/VIEW
		CH-1345 LE LIEU SWITZERLAND		ECHELLE / SCALE
TRAITEMENT / FINISH		PAR / BY		N° MAG
MATIERE / MATERIAL		VERIFIE PAR / VERIFIED BY		EMIB12
NIVEAU DU CERTIFICAT DE SOUMISSION REQUIS / SAMPLES APPROVAL PROCESS REPORT		X		DESSINE LE / DRAWN THE
DESIGNATION		NUMERO DU PLAN		REV.
COTES A CONTROLER		COTES FONCTIONNELLES		
INSPECTION DIMENSIONS		FUNCTIONAL DIMENSIONS		
<small>Ce document est propriété de Eaton Industries Manufacturing GmbH. Duplication interdite sans autorisation. This document is Eaton Industries Manufacturing GmbH property. Duplication forbidden without authorization.</small>				