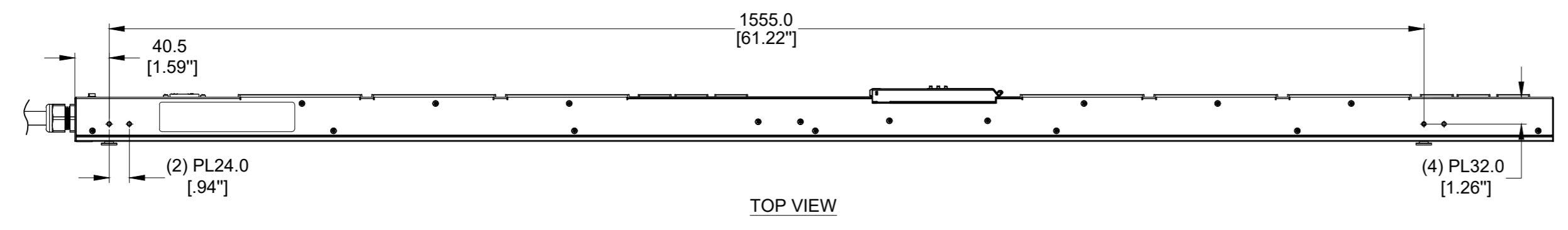
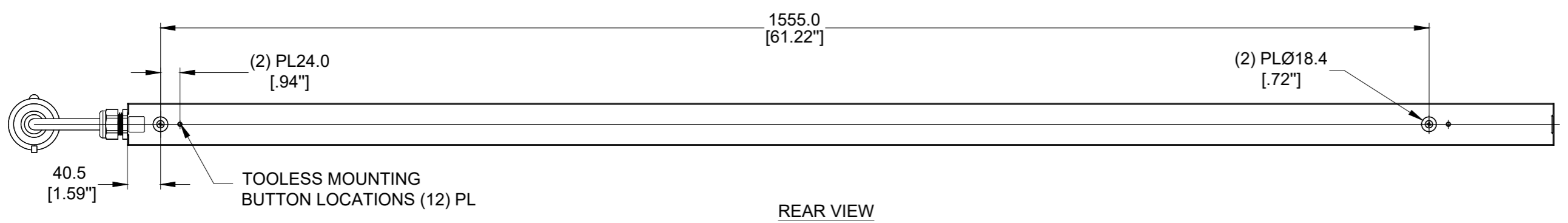


THE INFORMATION CONTAINED IN THIS DRAWING IS THE SOLE PROPERTY OF CIS. ANY REPRODUCTION IN PART OR WHOLE WITHOUT WRITTEN PERMISSION OF CIS IS PROHIBITED.

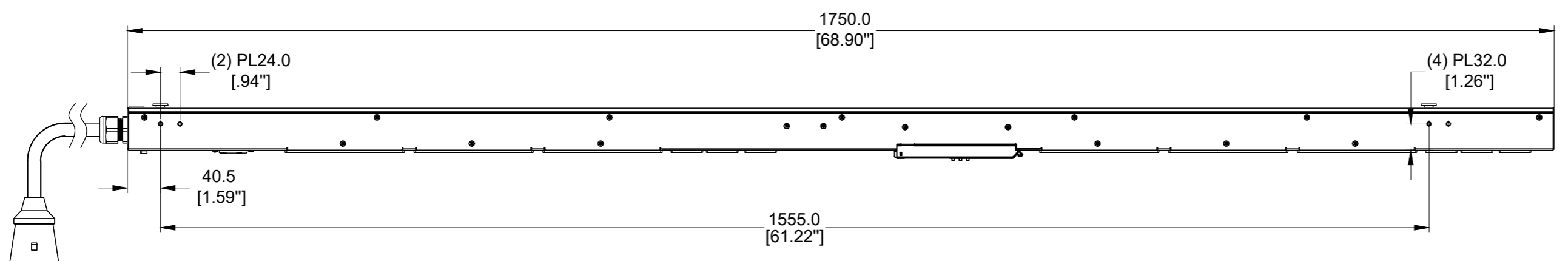
ECN/ECD		PLACES	REV.	REVISIONS		SIGN	DATE
			E1	DESCRIPTION			
				Design Release		Wanbin Liu	2019.3.13



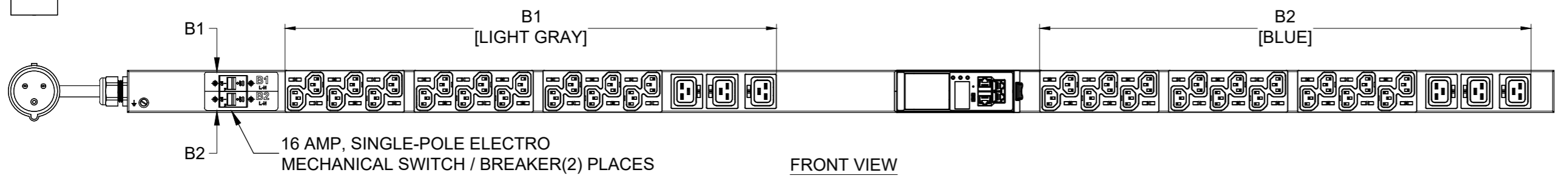
TOP VIEW



REAR VIEW

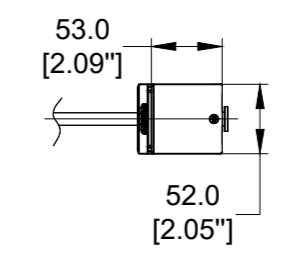


BOTTOM VIEW



FRONT VIEW

**SPECIFICATION:**  
 1. STANDARD:  
 UNIT TYPE: MONITORED INPUT  
 ORIENTATION: VERTICAL, 0U FULL  
 OUTLET QTY&TYPE: (36) C13, (6) C19  
 INPUT VOLTAGE: 100-240VAC  
 INPUT CURRENT: 32A  
 BREAKER QTY&TYPE: (2) 16AMP, SINGLE-POLE  
 INPUT PHASE: SINGLE-PHASE  
 RATED POWER: 7.4kVA  
 INPUT PLUG: IEC 60309 2P+E 6H 32A  
 INPUT POWER CORD: 3m[10'], TOP FEED  
 REGULATORY STANDARD: RoHS COMPLIANT



RIGHT VIEW

**PLUG/RECEPTACLE BLOCK**

	<b>PLUG</b> IEC 60309, 2P 3W, 6H IP44 (SPASHPROOF) 32A, 200-250V MAX RATED INPUT
	<b>RECEPTACLES</b> IEC 60320/C19 16A, 250V MAX RATED OUTPUT
	<b>RECEPTACLES</b> IEC 60320/C13 10A, 250V MAX RATED OUTPUT

UNLESS NOTED, DIMENSIONS IN MILLIMETERS & TOLERANCES ARE: X. ± 1 MM X.X ± 0.5 MM X.XX ± 0.20 MM ØX.X ± 0.4 MM ØX.XX ± 0.20 MM	DESIGNER & DATE: Wanbin Liu 2019-3-13	
	STANDARDIZATION/CHECKER & DATE: Hanson Xu 2019-3-15	
	DFM & DATE: Talon Lv 2019-3-15	DESCRIPTION: EN2.0 PDU
	APPROVER & DATE: Kanson Ren 2019-3-15	P/N: TA-EN1337
BRACKETED DIMENSIONS ARE IN INCHES FOR REFERENCE ONLY. THIRD ANGLE PROJECTION IF 2D AND 3D DIFFER, 2D SHALL TAKE PRECEDENCE	ITEM WEIGHT (REFERENCE ONLY): Assembly	SCALE 1:5 (DO NOT SCALE DRAWING) SIZE: A2 SHEET 1 OF 2

THE INFORMATION CONTAINED IN THIS DRAWING IS THE SOLE PROPERTY OF CIS. ANY REPRODUCTION IN PART OR WHOLE WITHOUT WRITTEN PERMISSION OF CIS IS PROHIBITED.

**enLOGIC** Power Distribution Unit

SKU #: EN1337  
 Model #: EP15032-0016  
 INPUT: 100-240VAC, 1PHASE, 50/60Hz, 32A  
 OUTPUT: C13; 100-240VAC, 10A per outlet  
 C19; 100-240VAC, 16A per outlet  
 32A Total  
 Mac Address: XX-XX-XX-XX-XX-XX

CIS Global LLC  
1751 W Dairy Place,  
Suite 103, Tucson,  
Arizona 85705  
 USED IN ITE

Serial Number  
CNXXXXXXXXXX  
 Made in China  
Mfr Name: ASIA PACIFIC CIS(WUXI)CO LTD

COMPLIANCE LABEL

NOTES:

1. INTERNAL WIRING:

WIRE TYPE:

UL AWM 1015, 10 & 12 & 18AWG

LINE 1/R/X COLOR:

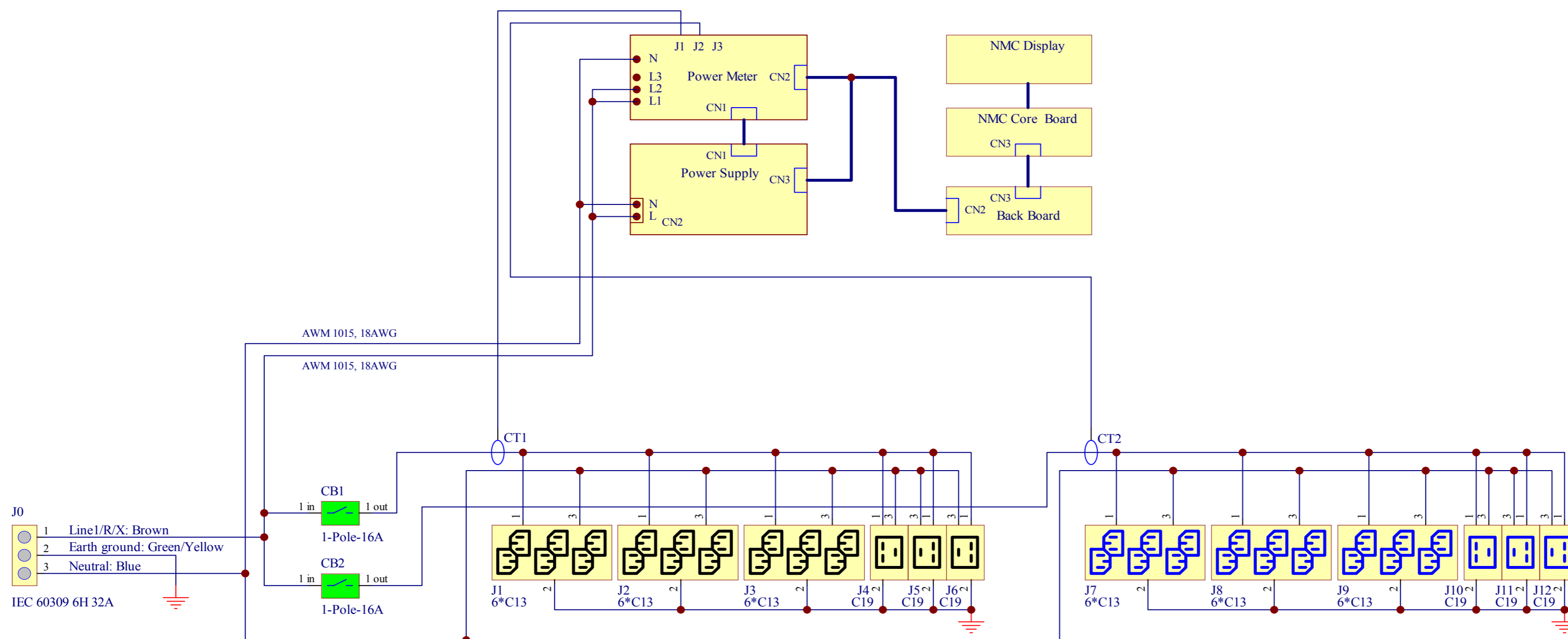
BROWN

EARTH GROUND COLOR:

GREEN/YELLOW STRIPE

NEUTRAL WIRE COLOR:

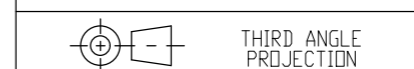
BLUE



INTERNAL WIRING SCHEMATIC

UNLESS NOTED, DIMENSIONS IN MILLIMETERS & TOLERANCES ARE:	
X ± 1 MM	X° ± 1°
X.X ± 0.5 MM	X.X° ± 0.5°
X.XX ± 0.20 MM	
ØX.X ± 0.4 MM	
ØX.XX ± 0.20 MM	

BRACKETED DIMENSIONS ARE IN INCHES FOR REFERENCE ONLY



IF 2D AND 3D DIFFER, 2D SHALL TAKE PRECEDENCE

DESIGNER & DATE:	Wanbin Liu 2019-3-13
STANDARDIZATION/CHECKER & DATE:	Hanson Xu 2019-3-15
DFM & DATE:	Talon Lv 2019-3-15
APPROVER & DATE:	Kanson Ren 2019-3-15
ITEM WEIGHT (REFERENCE ONLY):	

MATERIAL:  
Assembly



DESCRIPTION:	EN2.0 PDU
P/N:	TA- EN1337
REV:	E1
SCALE:	1:5 (DO NOT SCALE DRAWING)
SIZE:	A2
SHEET:	2 OF 2