

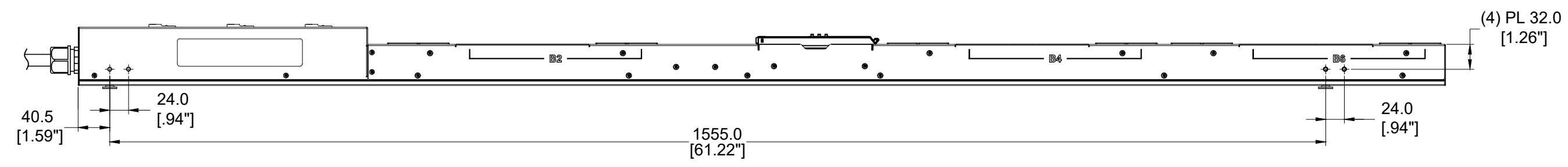
THE INFORMATION CONTAINED IN THIS DRAWING IS THE SOLE PROPERTY OF CIS. ANY REPRODUCTION IN PART OR WHOLE WITHOUT WRITTEN PERMISSION OF CIS IS PROHIBITED.

ECN/ECD		PLACES	REV.	REVISIONS		SIGN	DATE
			E1	DESCRIPTION	Design Release	Wanbin Liu	2019.3.13

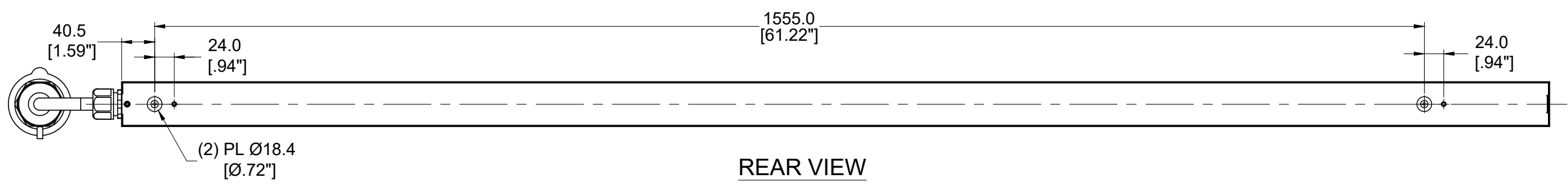
SPECIFICATION:

1. STANDARD:

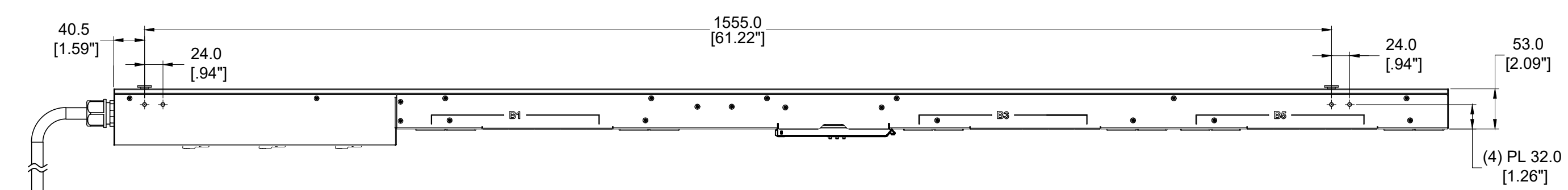
UNIT TYPE:	MONITORED INPUT
ORIENTATION:	VERTICAL, 0U FULL
OUTLET QTY & TYPE:	(30) C13, (12) C19
INPUT VOLTAGE:	200-240/346-415VAC
INPUT CURRENT:	32A
BREAKER QTY & TYPE:	(6) 16AMP, SINGLE-POLE
INPUT PHASE:	THREE-PHASE WYE
RATED POWER:	22.0 kVA
INPUT PLUG:	IEC 60309 3P+N+E 6H 32A
INPUT POWER CORD:	3m[10'], TOP FEED
REGULATORY STANDARD:	RoHS COMPLIANT



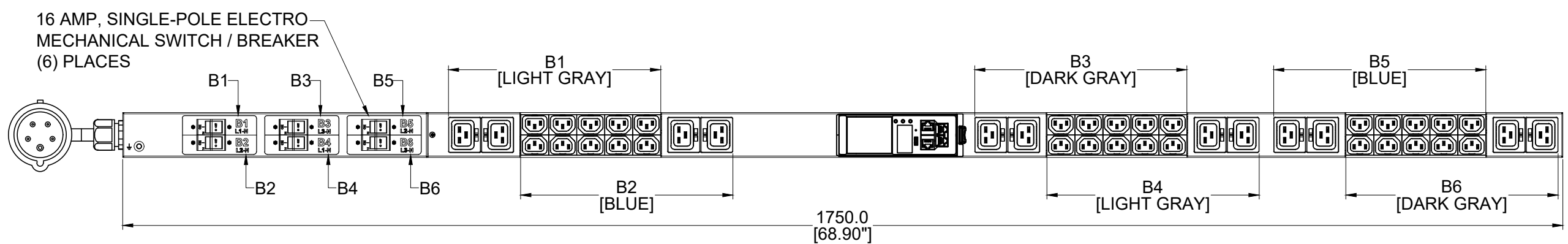
TOP VIEW



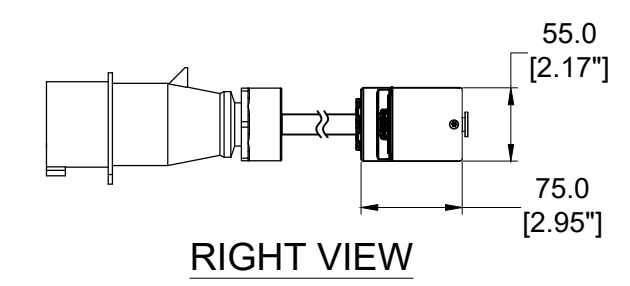
REAR VIEW



BOTTOM VIEW



FRONT VIEW



RIGHT VIEW

PLUG
IEC 60309, 4P 5W, 6H
IP44 (SPASHPROOF)
32A, 346 - 415V MAX RATED INPUT

RECEPTACLES
IEC 60320/C19
16A, 250V MAX RATED OUTPUT

RECEPTACLES
IEC 60320/C13
10A, 250V MAX RATED OUTPUT

UNLESS NOTED, DIMENSIONS IN MILLIMETERS & TOLERANCES ARE: X. ± 1 MM X.X ± 0.5 MM X.XX ± 0.20 MM ØX.X ± 0.4 MM ØX.XX ± 0.20 MM	DESIGNER & DATE: Wanbin Liu 2019-3-13	
	STANDARDIZATION/CHECKER & DATE: Hanson Xu 2019-3-15	
	DFM & DATE: Talon Lv 2019-3-15	DESCRIPTION: EN2.0 PDU
	APPROVER & DATE: Kanson Ren 2019-3-15	P/N: TA-EN1811
BRACKETED DIMENSIONS ARE IN INCHES FOR REFERENCE ONLY THIRD ANGLE PROJECTION IF 2D AND 3D DIFFER, 2D SHALL TAKE PRECEDENCE	ITEM WEIGHT (REFERENCE ONLY): MATERIAL: Assembly	SCALE 1:5 (DO NOT SCALE DRAWING) SIZE: A2 SHEET 1 OF 2

THE INFORMATION CONTAINED IN THIS DRAWING IS THE SOLE PROPERTY OF CIS. ANY REPRODUCTION IN PART OR WHOLE WITHOUT WRITTEN PERMISSION OF CIS IS PROHIBITED.

enLOGIC Power Distribution Unit

SKU#: EN1811
 Model #: EP12032-0028
 INPUT: 200-240/346-415VAC, WYE, 3PHASE, 50/60Hz, 32A
 OUTPUT: C13; 200-240VAC, 10A per outlet
 C19; 200-240VAC, 16A per outlet
 32A Total
 Mac Address: XX-XX-XX-XX-XX-XX

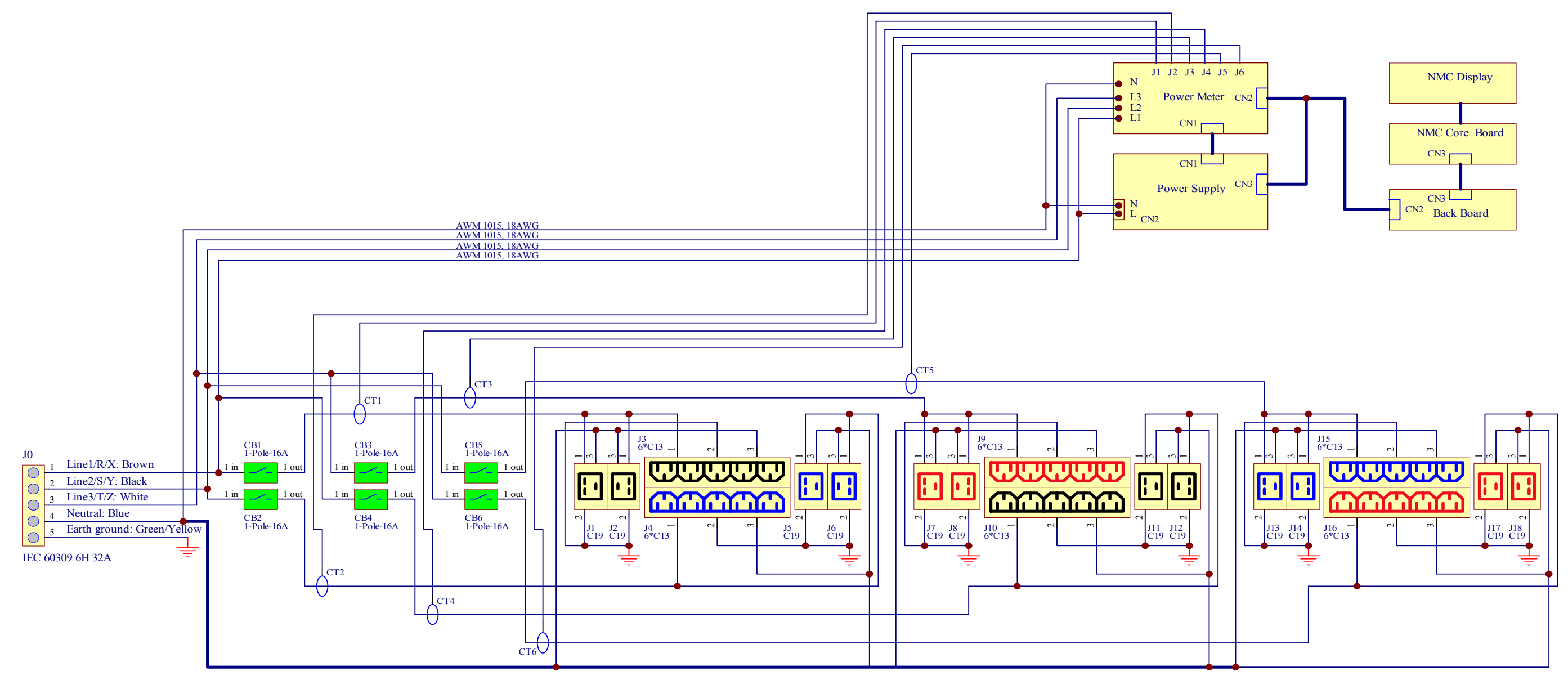
CIS Global LLC
1791 W Dairy Place,
Suite 100, Tucson,
Arizona 85705
USED IN ITE

SKU#: EN1811
Serial Number
XXXXXXXXXX
Made In China
Mfr. Name: ASIA PACIFIC CIS(WUXI)CO LTD

COMPLIANCE LABEL

NOTES:

1. INTERNAL WIRING:
 WIRE TYPE: UL AWM 1015, 10 & 12 & 18AWG
 LINE 1/R/X COLOR: BROWN
 LINE 2/S/Y COLOR: BLACK
 LINE 3/T/Z COLOR: WHITE
 EARTH GROUND COLOR: GREEN/YELLOW STRIPE
 NEUTRAL WIRE COLOR: BLUE



INTERNAL WIRING SCHEMATIC

UNLESS NOTED, DIMENSIONS IN MILLIMETERS & TOLERANCES ARE: X. ± 1 MM X.X ± 0.5 MM X.XX ± 0.20 MM ØX.X ± 0.4 MM ØX.XX ± 0.20 MM	DESIGNER & DATE: Wanbin Liu 2019-3-13		DESCRIPTION: EN2.0 PDU
	STANDARDIZATION/CHECKER & DATE: Hanson Xu 2019-3-15		
BRACKETED DIMENSIONS ARE IN INCHES FOR REFERENCE ONLY THIRD ANGLE PROJECTION	DFM & DATE: Talon Lv 2019-3-15	P/N: TA-EN1811	REV: E1
	APPROVER & DATE: Kanson Ren 2019-3-15		
IF 2D AND 3D DIFFER, 2D SHALL TAKE PRECEDENCE	MATERIAL: Assembly	SCALE 1:5 (DO NOT SCALE DRAWING)	SIZE: A2 SHEET 1 OF 1