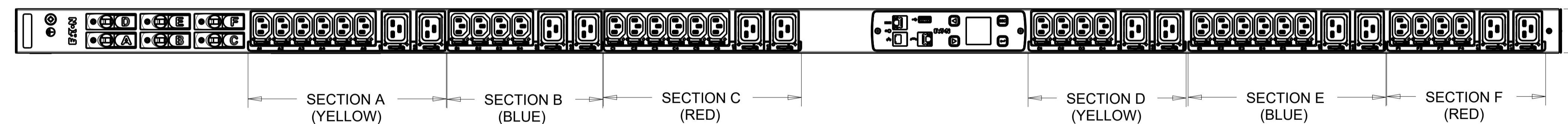
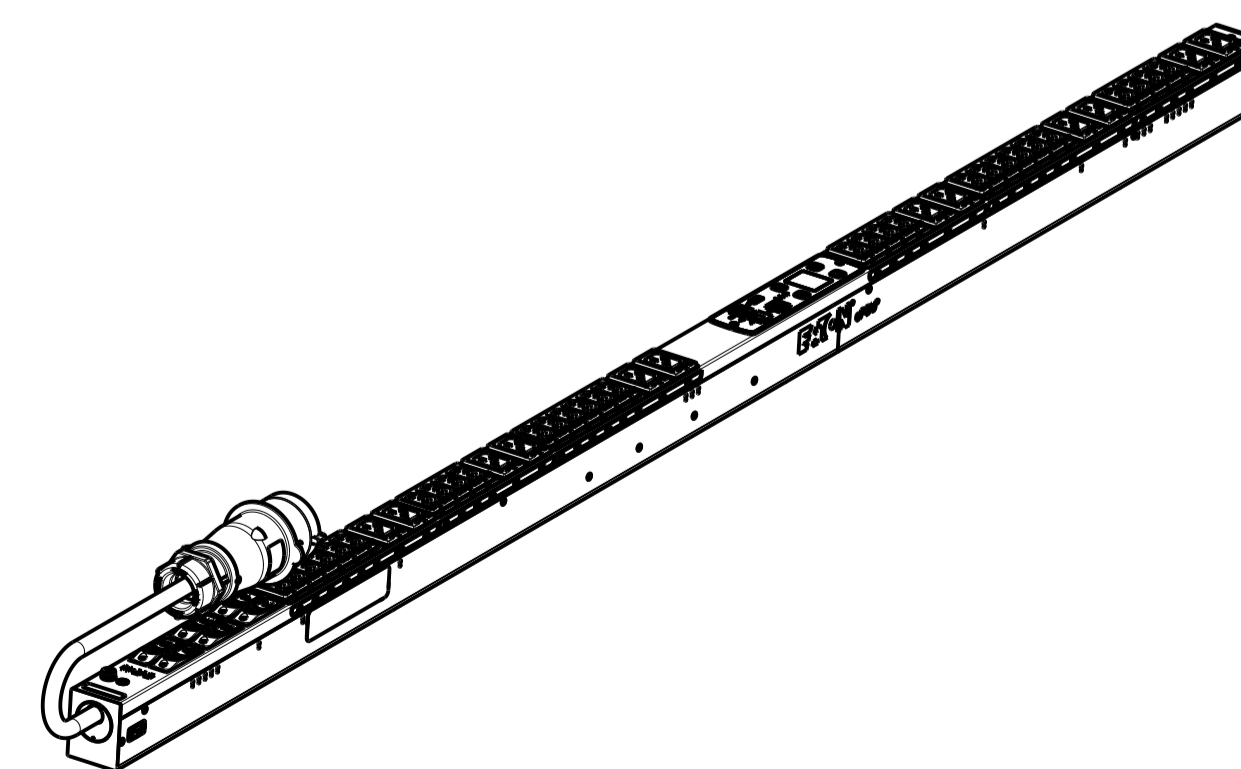


CABLE LENGTH SHOWN NOT TO SCALE



EMIB34 G3 METERED INPUT

FUNCTIONALITY	INPUT	OUTPUT	ENVIRONMENTAL
CURRENT POWER AND ENERGY METERING FOR INPUT AND BRANCH	3Ø;346-415V~; WYE, 3W+N+PE 50/60Hz 32A	(30) IEC 60320 C13 GRIP (12) IEC 60320 C19 GRIP ALTERNATING SECTIONS	0 TO 60 °C
MECHANICAL	INPUT RATING	OUTPUT RATING	CERTIFICATIONS
LENGTH: 1829MM WIDTH: 52 MM DEPTH: 65MM ALUMINIUM CHASSIS, BLACK MNT PATTERN SK-23919-Y1	IEC 60309-2 32A 400V~ WYE, 3W+N+PE 4.0MM HO7 POWER CORD CABLE LENGTH: 3.0M	200-240V~;50/60Hz 10A PER C13;16A PER C19 16A MAX PER SECTION 32A MAX TOTAL	CE, CB
CIRCUIT BREAKERS	FILTER AND SPIKE/SURGE	ACCESSORIES	CONFIGURATION
(6) 16A 1-POLE	NONE	STANDARD KSP025 - VERT INSTALLATION AND NETWORK PACK KA35 OPTIONAL EMP001 - ENVIRONMENTAL PROBE	EMI3DH8FBJV8BAM



PICTORIAL VIEW
SCALE 0.150

REV	MODIFICATION	DATE	DESIGNER	VERIF
03	PRODUCT MODIFIED TO ALTERNATING SECTIONS	13.11.2018	VV	MB
02	CHANGE PACK FROM KSP015 TO KSP025	24.07.2017	VV	MB
01	REVISED CIRCUIT SCHEMATIC AND REMOVE UNNECESSARY END CAP INSTANCES	14.09.2015	RA	MB
00	INITIAL RELEASE	02.07.2014	RA	MB

EATON		HEINEMANN PRODUCTS		VUE/VIEW 1ST ANGLE	ECHELLE / SCALE 3/10	N° MAG EMIB34
CH-1345 LE LIEU SWITZERLAND				DESSINE LE / DRAWN THE PAR / BY RA		
TRAITEMENT / FINISH N/A		COTES A CONTROLER INSPECTION DIMENSIONS		VERIFIE PAR / VERIFIED BY MB		
MATIERE / MATERIAL N/A		COTES FONCTIONNELLES FUNCTIONAL DIMENSIONS		DIMENSIONS AND TOLERANCES IN MILLIMETERS		
DESIGNATION EPDU MI 0U (309 32A 3P)3ØXC13:12XC19		NUMERO DU PLAN PLAN NUMBER		VERIFIE PAR / VERIFIED BY MB		
DESIGNATION		NUMERO DU PLAN PLAN NUMBER		REV.		
DESIGNATION		NUMERO DU PLAN PLAN NUMBER		REV.		

Ce document est propriété de Eaton Industries Manufacturing GmbH. Duplication interdite sans autorisation.
This document is Eaton Industries Manufacturing GmbH property. Duplication forbidden without authorization.