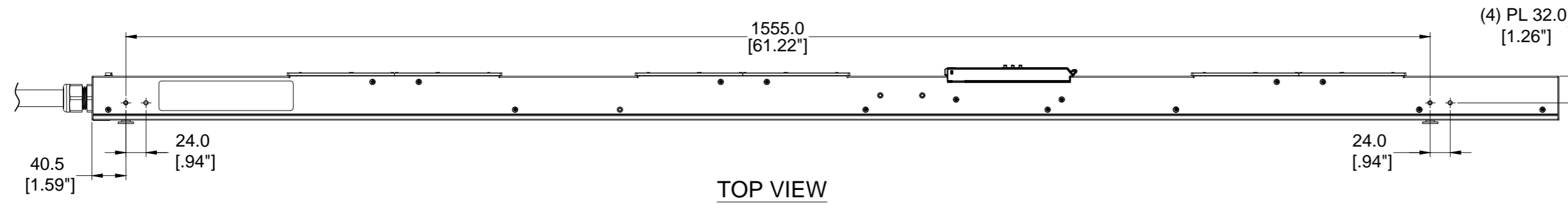
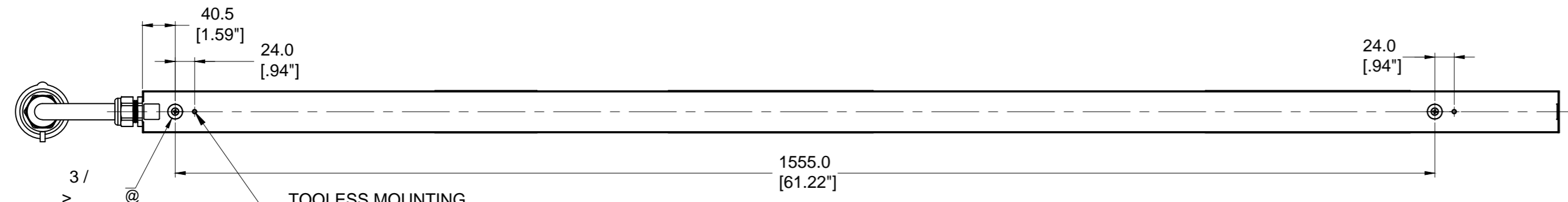


THE INFORMATION CONTAINED IN THIS DRAWING IS THE SOLE PROPERTY OF CIS. ANY REPRODUCTION IN PART OR WHOLE WITHOUT WRITTEN PERMISSION OF CIS IS PROHIBITED.

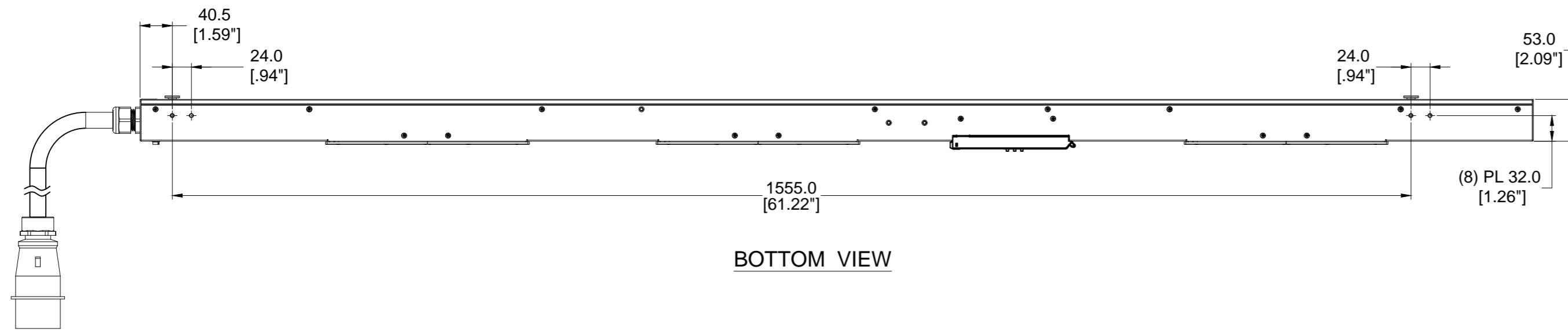
REVISIONS					
ECN/ECD	PLACES	REV.	DESCRIPTION	SIGN	DATE
		E1	Design Release	Wanbin Liu	2019.3.13



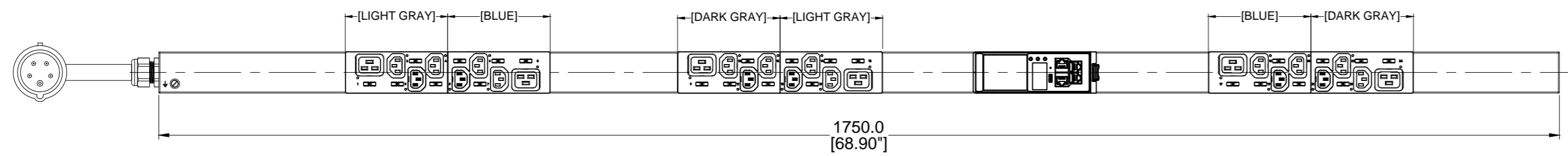
TOP VIEW



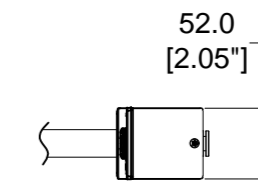
REAR VIEW



BOTTOM VIEW



FRONT VIEW



RIGHT VIEW

SPECIFICATION:

1. STANDARD:

UNIT TYPE:	MONITORED SWITCHED
ORIENTATION:	VERTICAL, 0U FULL
OUTLET QTY & TYPE:	(18)C13, (6)C19
INPUT VOLTAGE:	200-240/346-415VAC
INPUT CURRENT:	16A
BREAKER QTY & TYPE:	N/A
INPUT PHASE:	THREE-PHASE, WYE
RATED POWER:	11.0 KVA
INPUT PLUG:	IEC 60309 3P+N+E 6H 16A
INPUT POWER CORD:	3m[10], TOP FEED
REGULATORY STANDARD:	RoHS COMPLIANT

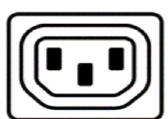
PLUG/RECEPTACLE BLOCK



PLUG
IEC 60309, 4P 5W, 6H
IP44 (SPLASHPROOF)
16A, 346 415V MAX RATED INPUT



RECEPTACLES
IEC 60320/C19
16A, 250V MAX RATED OUTPUT



RECEPTACLES
IEC 60320/C13
10A, 250V MAX RATED OUTPUT

UNLESS NOTED, DIMENSIONS IN MILLIMETERS & TOLERANCES ARE: X ± 1 MM X.X ± 0.5 MM X.XX ± 0.20 MM ØX.X ± 0.4 MM ØX.XX ± 0.20 MM	DESIGNER & DATE: Wanbin Liu 2019-3-13	
	STANDARDIZATION/CHECKER & DATE: Hanson Xu 2019-3-15	
BRACKETED DIMENSIONS ARE IN INCHES FOR REFERENCE ONLY	DFM & DATE: Talon Lv 2019-3-15	DESCRIPTION: EN2.0 PDU
	APPROVER & DATE: Kanson Ren 2019-3-15	
THIRD ANGLE PROJECTION	ITEM WEIGHT (REFERENCE ONLY):	P/N: TA-EN2402
IF 2D AND 3D DIFFER, 2D SHALL TAKE PRECEDENCE	MATERIAL: Assembly	REV: E1
	SCALE 1:5 (DO NOT SCALE DRAWING)	SIZE: A2 SHEET 1 OF 2

THE INFORMATION CONTAINED IN THIS DRAWING IS THE SOLE PROPERTY OF CIS. ANY REPRODUCTION IN PART OR WHOLE, WITHOUT WRITTEN PERMISSION OF CIS IS PROHIBITED.

enLOGIC Power Distribution Unit

SKU #: EN2402
 Model #: EP22016-0011
 INPUT: 200-240/346-415VAC, WYE, 3PHASE, 50/60Hz, 16A
 OUTPUT: C13; 200-240VAC, 10A per outlet
 C19; 200-240VAC, 16A per outlet
 16A Total
 Mac Address: XX-XX-XX-XX-XX-XX

SKUP: EN2402

Serial Number: CNXXXXXXX

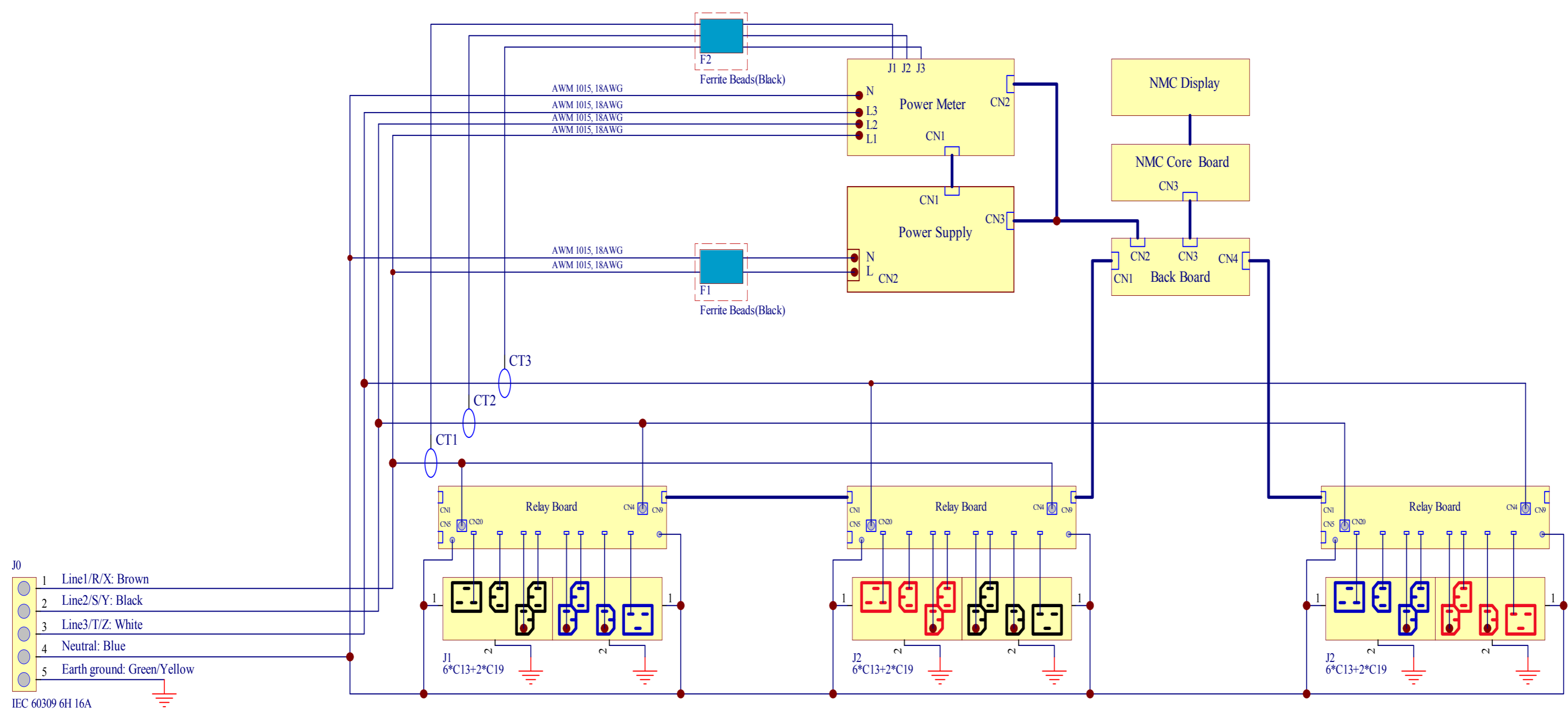
Made In China

Mfr. Name: ASIA PACIFIC CIS(WUXI)CO LTD

CIS Global LLC
 1791 W Daisy Place,
 Suite 105, Tucson,
 Arizona 85705
 USED IN ITE

COMPLIANCE LABEL

- NOTES:**
1. INTERNAL WIRING:
- | | |
|---------------------|------------------------|
| WIRE TYPE: | UL AWM 1015,12 & 18AWG |
| LINE 1/R/X COLOR: | BROWN |
| LINE 2/S/Y COLOR: | BLACK |
| LINE 3/T/Z COLOR: | WHITE |
| EARTH GROUND COLOR: | GREEN/YELLOW STRIPE |
| NEUTRAL WIRE COLOR: | BLUE |



INTERNAL WIRING SCHEMATIC

UNLESS NOTED, DIMENSIONS IN MILLIMETERS & TOLERANCES ARE: X. ± 1 MM X.X ± 0.5 MM X.XX ± 0.20 MM ØX.X ± 0.4 MM ØX.XX ± 0.20 MM BRACKETED DIMENSIONS ARE IN INCHES FOR REFERENCE ONLY THIRD ANGLE PROJECTION IF 2D AND 3D DIFFER, 2D SHALL TAKE PRECEDENCE	DESIGNER & DATE: Wanbin Liu 2019-3-13	ASIA PACIFIC CIS WUXI CHINA	DESCRIPTION: EN2.0 PDU P/N: TA-EN2402 REV: E1
	STANDARDIZATION/CHECKER & DATE: Hanson Xu 2019-3-15		
	DFM & DATE: Talon Lv 2019-3-15	APPROVER & DATE: Kanson Ren 2019-3-15	
	ITEM WEIGHT (REFERENCE ONLY): Assembly	SCALE 1:5 (DO NOT SCALE DRAWING) SIZE: A2 SHEET 2 OF 2	