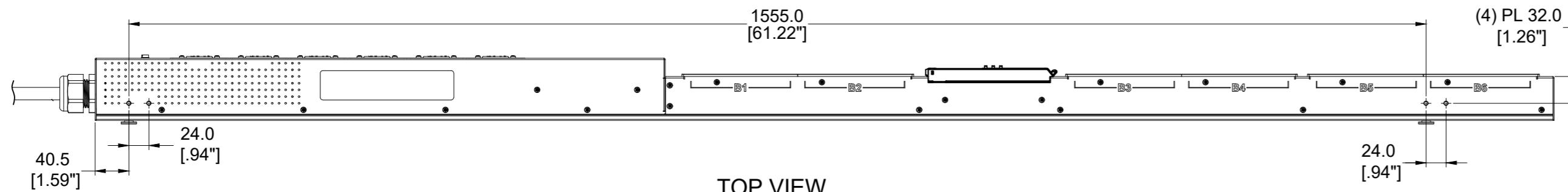
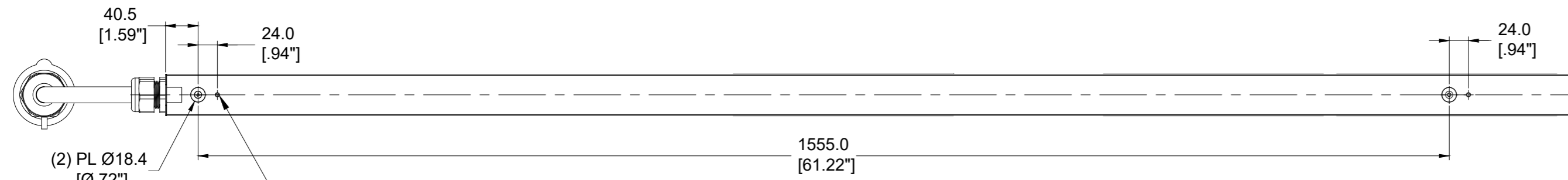


THE INFORMATION CONTAINED IN THIS DRAWING IS THE SOLE PROPERTY OF CIS. ANY REPRODUCTION IN PART OR WHOLE WITHOUT WRITTEN PERMISSION OF CIS IS PROHIBITED.

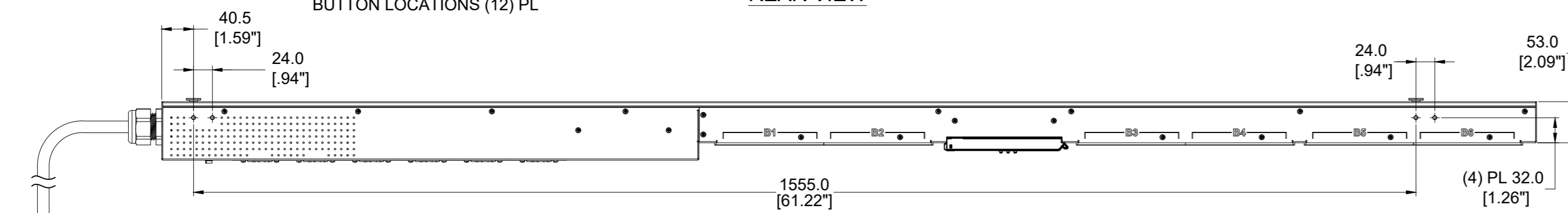
REVISIONS					
ECN/ECD	PLACES	REV.	DESCRIPTION	SIGN	DATE
		E1	Design Release	Wanbin Liu	2019.3.13



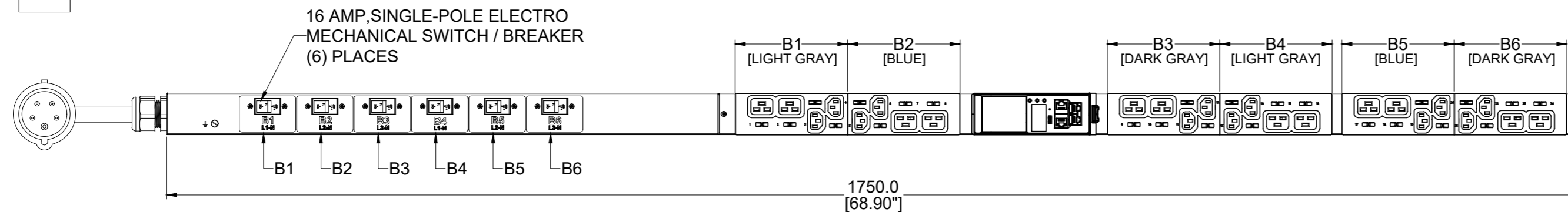
TOP VIEW



REAR VIEW



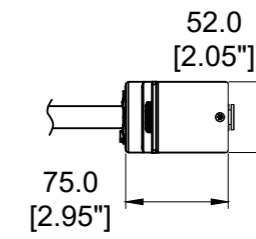
BOTTOM VIEW



FRONT VIEW

SPECIFICATION:

1. STANDARD:
- | | |
|----------------------|---|
| UNIT TYPE: | MONITORED OUTLET |
| ORIENTATION: | VERTICAL, 0U FULL |
| OUTLET QTY & TYPE: | (12) C13, (12) C19 |
| INPUT VOLTAGE: | 200-240/346-415VAC |
| INPUT CURRENT: | 32A |
| BREAKER QTY & TYPE: | (6) 16AMP, SINGLE-POLE THREE-PHASE, WYE |
| INPUT PHASE: | |
| RATED POWER: | 22.0KVA |
| INPUT PLUG: | IEC 60309 3P+N+E 6H 32A |
| INPUT POWER CORD: | 3m[10]', TOP FEED |
| REGULATORY STANDARD: | RoHS COMPLIANT |

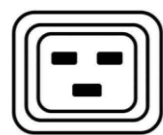


RIGHT VIEW

PLUG/RECEPTACLE BLOCK



PLUG
IEC 60309, 4P 5W, 6H
IP44 (SPASHPROOF)
32A, 346 - 415V MAX RATED INPUT



RECEPTACLES
IEC 60320/C19
16A, 250V MAX RATED OUTPUT



RECEPTACLES
IEC 60320/C13
10A, 250V MAX RATED OUTPUT

UNLESS NOTED, DIMENSIONS IN MILLIMETERS & TOLERANCES ARE: X ± 1 MM X.X ± 0.5 MM X.XX ± 0.20 MM ØX.X ± 0.4 MM ØX.XX ± 0.20 MM	DESIGNER & DATE: Wanbin Liu 2019-3-13	
	STANDARDIZATION/CHECKER & DATE: Hanson Xu 2019-3-15	
BRACKETED DIMENSIONS ARE IN INCHES FOR REFERENCE ONLY	DFM & DATE: Talon Lv 2019-3-15	DESCRIPTION: EN2.0 PDU
	APPROVER & DATE: Kanson Ren 2019-3-15	P/N: TA-EN5808
THIRD ANGLE PROJECTION	ITEM WEIGHT (REFERENCE ONLY): Assembly	REV: E1
IF 2D AND 3D DIFFER, 2D SHALL TAKE PRECEDENCE	MATERIAL: Assembly	SCALE 1:5 (DO NOT SCALE DRAWING) SIZE: A2 SHEET 1 OF 2

THE INFORMATION CONTAINED IN THIS DRAWING IS THE SOLE PROPERTY OF CIS. ANY REPRODUCTION IN PART OR WHOLE WITHOUT WRITTEN PERMISSION OF CIS IS PROHIBITED.

enLOGIC

Power Distribution Unit

SKU #: EN5808
 Model #: EP52032-0010
 INPUT: 200-240/346-415VAC, WYE, 3PHASE, 50/60Hz, 32A
 OUTPUT: C13; 200-240VAC, 10A per outlet
 C19; 200-240VAC, 16A per outlet
 32A Total
 Mac Address:XX-XX-XX-XX-XX-XX

USED IN ITE

CIS Global LLC
 1735 W. Dairy Place,
 Suite 185, Tucson,
 Arizona 85715

SKU#:

Serial Number

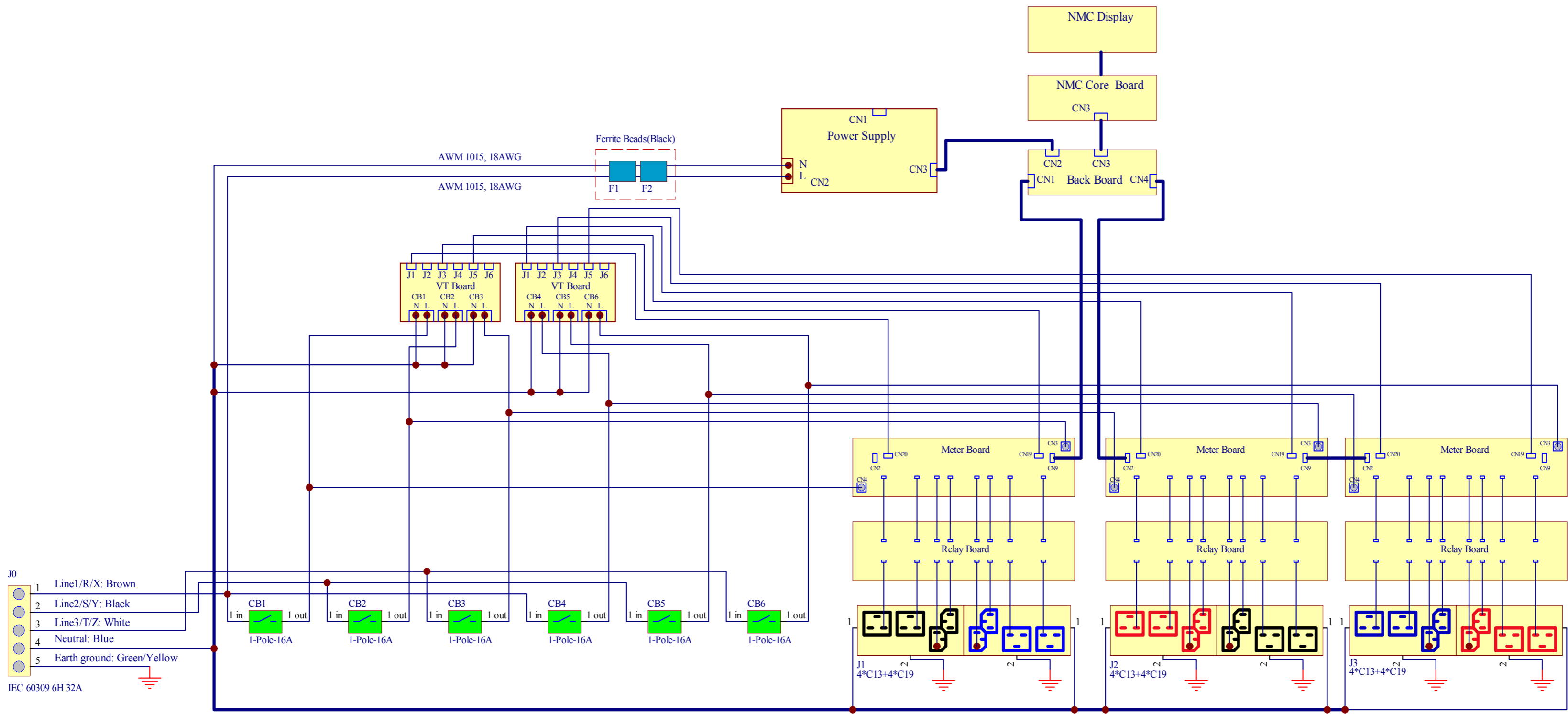
ENXXXXXXXXXX

Made In China

Mfr.Name:ASIA PACIFIC CIS(WUXI)CO LTD

COMPLIANCE LABEL

- NOTES:**
- 1. INTERNAL WIRING:
 - WIRE TYPE: UL AWM 1015, 10 & 12 & 18AWG
 - LINE 1/R/X COLOR: BROWN
 - LINE 2/S/Y COLOR: BLACK
 - LINE 3/T/Z COLOR: WHITE
 - EARTH GROUND COLOR: GREEN/YELLOW STRIPE
 - NEUTRAL WIRE COLOR: BLUE



INTERNAL WIRING SCHEMATIC

UNLESS NOTED, DIMENSIONS IN MILLIMETERS & TOLERANCES ARE: X. ± 1 MM X.X ± 0.5 MM X.XX ± 0.20 MM ØX.X ± 0.4 MM ØX.XX ± 0.20 MM BRACKETED DIMENSIONS ARE IN INCHES FOR REFERENCE ONLY THIRD ANGLE PROJECTION IF 2D AND 3D DIFFER, 2D SHALL TAKE PRECEDENCE	DESIGNER & DATE: Wanbin Liu 2019-3-13	ASIA PACIFIC CIS WUXI CHINA
	STANDARDIZATION/CHECKER & DATE: Hansong Xu 2019-3-15	
	DFM & DATE: Talon Lv 2019-3-15	
	APPROVER & DATE: Kanson Ren 2019-3-15	
ITEM WEIGHT (REFERENCE ONLY): Assembly	DESCRIPTION: EN2.0 PDU	P/N: TA-EN5808
MATERIAL:	SCALE 1:5 (DO NOT SCALE DRAWING)	SIZE: A2
		SHEET 2 OF 2