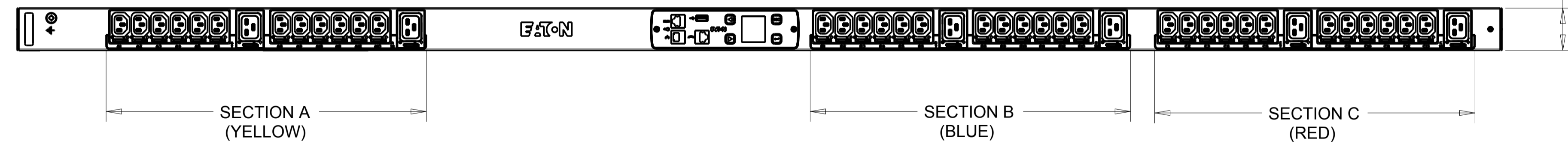
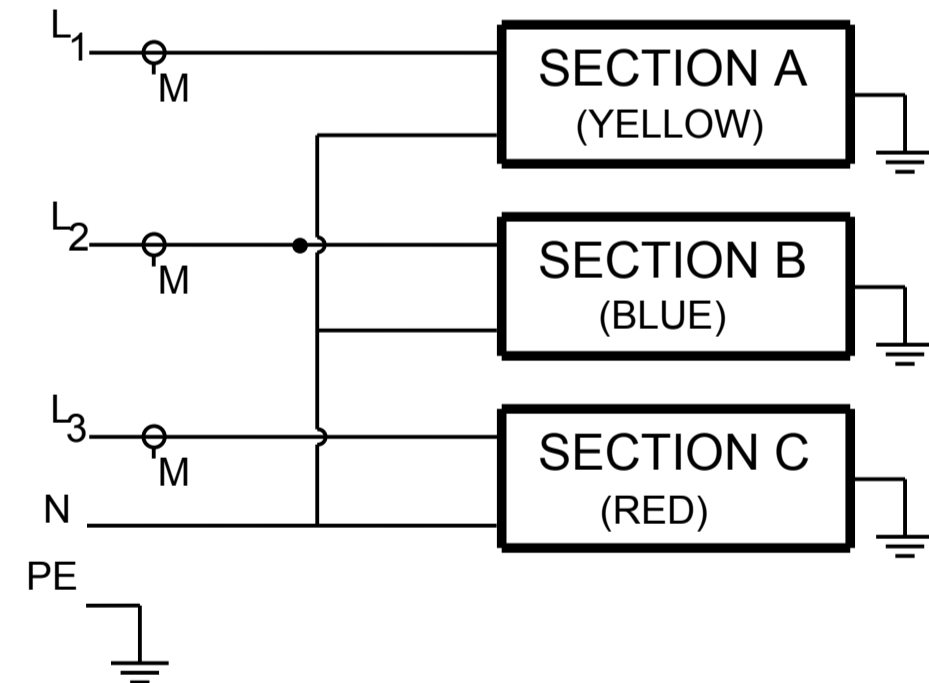


CABLE LENGTH SHOWN NOT TO SCALE

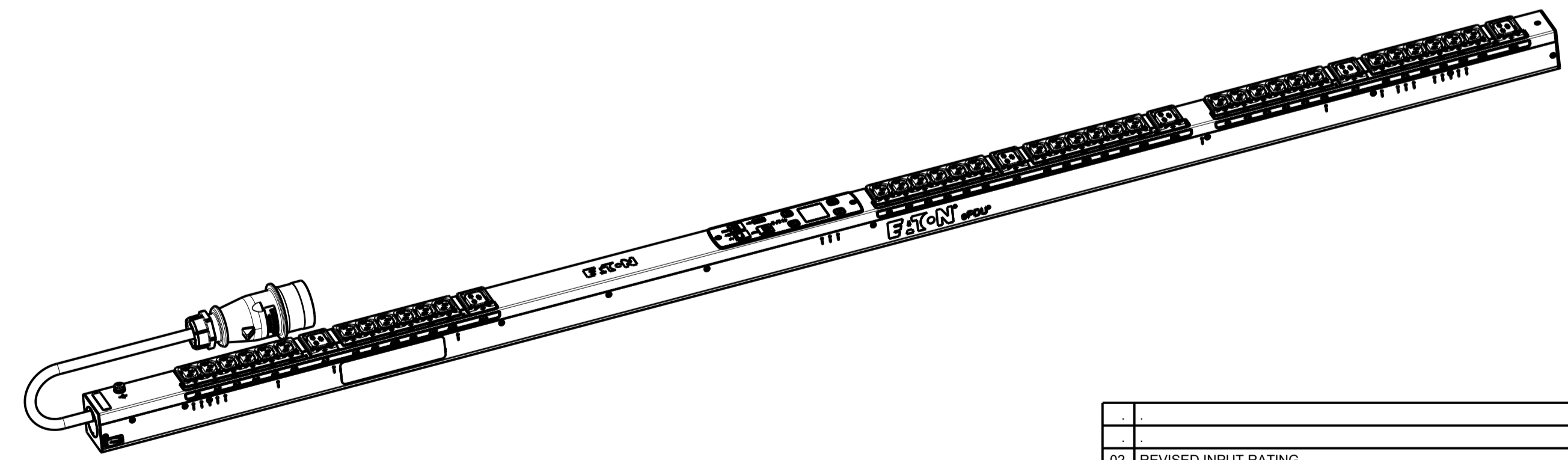
CIRCUIT SCHEMATIC



EMIB00

G3 METERED INPUT

FUNCTIONALITY	INPUT	OUTPUT	ENVIRONMENTAL
CURRENT POWER AND ENERGY METERING FOR INPUT AND BRANCH	IEC 60309-2 16A 400V~ WYE, 3W+N+PE 1.5MM HO7 POWER CORD CABLE LENGTH: 3.0M	(36) IEC 60320 C13 GRIP (6) IEC 60320 C19 GRIP	0 TO 60 ° C
MECHANICAL	INPUT RATING	OUTPUT RATING	CERTIFICATIONS
LENGTH: 1829MM WIDTH: 52 MM DEPTH: 53MM ALUMINIUM CHASSIS, BLACK MNT PATTERN SK-23919-Y1	3Ø;346-415V~; WYE, 3W+N+PE 50/60HZ 16A	200-240V~;50/60Hz 10A PER C13;16A PER C19 16A MAX PER SECTION 16A MAX TOTAL	CE, CB
CIRCUIT BREAKERS	FILTER AND SPIKE/SURGE	ACCESSORIES	CONFIGURATION
NONE	NONE	STANDARD KSP015 - VERT INSTALLATION AND NETWORK PACK OPTIONAL EMP001 - ENVIRONMENTAL PROBE	EMI3DA8FAGK7BAM



PICTORIAL VIEW
SCALE 0.187

02	REVISED INPUT RATING.	19.01.2016.	G.McD.	M.B.
01	FIXED MISSING GRAPHICS.	14.05.2014	G.McD.	M.B.
00	INITIAL RELEASE	21.02.2014	G.McD.	M.B.
REV.	MODIFICATION	DATE	DESIGNER	VERIF.
		HEINEMANN PRODUCTS		VUE/VIEW 1ST ANGLE
		CH-1345 LE LIEU SWITZERLAND		ECHELLE / SCALE 3/16
TOLERANCE GENERALE / GENERAL TOLERANCE		VERIFIE PAR / VERIFIED BY		M.B.
TRAITEMENT / FINISH		NA		
MATIERE / MATERIAL		NA		
NIVEAU DU CERTIFICAT DE SOUMISSION REQUIS / SAMPLES APPROVAL PROCESS REPORT				X
DIMENSIONS AND TOLERANCES IN MILLIMETERS				
DESIGNATION		EPDU MI 0U (3Ø9 16A 3P)36XC13:6XC19		SK-30419-Y1
COTES A CONTROLER INSPECTION DIMENSIONS		COTES FONCTIONNELLES FUNCTIONAL DIMENSIONS		# XX.XX
		NUMERO DU PLAN PLAN NUMBER		02
<small>Ce document est propriété de Eaton Industries Manufacturing GmbH. Duplication interdite sans autorisation. This document is Eaton Industries Manufacturing GmbH property. Duplication forbidden without authorization.</small>				