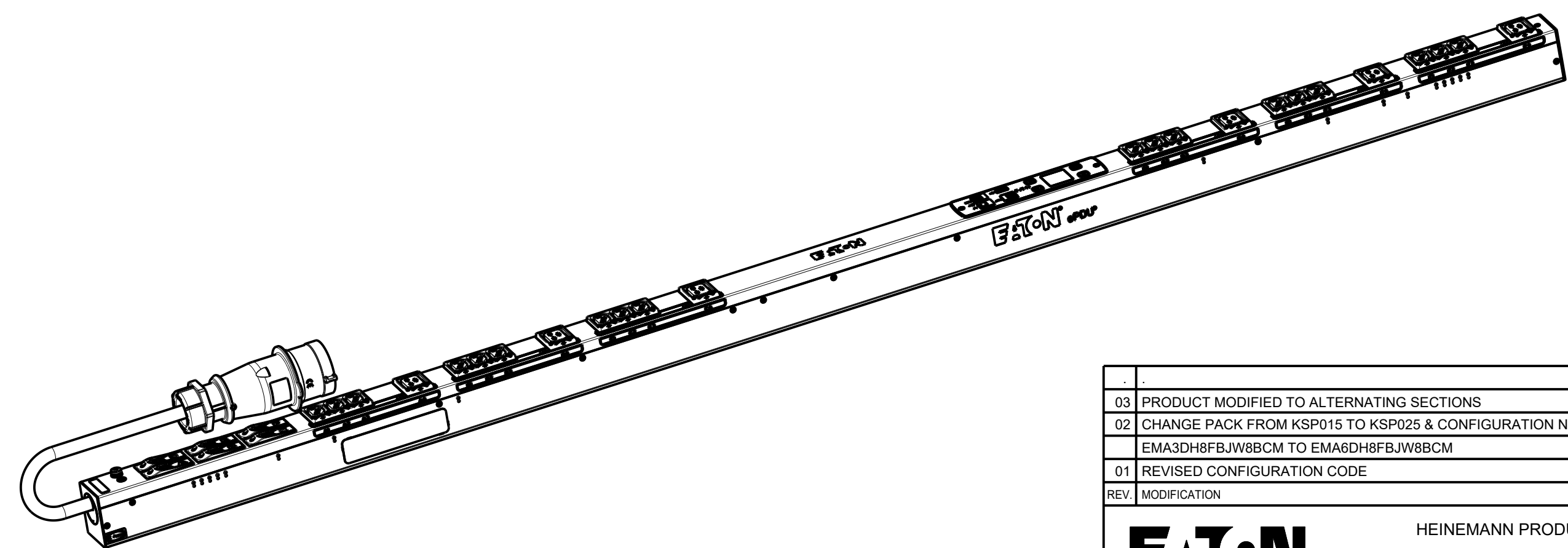


CABLE LENGTH SHOWN NOT TO SCALE



EMAB33 G3 MANAGED

FUNCTIONALITY	INPUT	OUTPUT	ENVIRONMENTAL
CURRENT POWER AND ENERGY METERING FOR INPUT, BRANCH AND OUTLETS. INDIVIDUAL OUTLET CONTROL	IEC 60309-2 32A 400V~ WYE, 3W+N+PE 4.0MM HO7 POWER CORD CABLE LENGTH: 3.0M	(18) IEC 60320 C13 GRIP (6) IEC 60320 C19 GRIP ALTERNATING SECTIONS	0 TO 60 °C
MECHANICAL	INPUT RATING	OUTPUT RATING	CERTIFICATIONS
LENGTH: 1829MM WIDTH: 52 MM DEPTH: 65MM ALUMINIUM CHASSIS, BLACK MNT PATTERN SK-23919-Y1	3Ø;346-415V~; WYE, 3W+N+PE 50/60HZ 32A	200-240V~;50/60HZ 10A PER C13;16A PER C19 16A MAX PER SECTION 32A MAX PER PHASE	CE, CB
CIRCUIT BREAKERS	FILTER AND SPIKE/SURGE	ACCESSORIES	CONFIGURATION
(6) 16A 1-POLE	NONE	STANDARD KSP025 - VERT INSTALLATION AND NETWORK PACK KA35 OPTIONAL EMP001 - ENVIRONMENTAL PROBE	EMA6DH8FBJW8BCM



SCALE 0.188

03	PRODUCT MODIFIED TO ALTERNATING SECTIONS	06.03.2019	AEK	M.B
02	CHANGE PACK FROM KSP015 TO KSP025 & CONFIGURATION NO FROM ...	08.05.2017	VV	M.B
	EMA3DH8FBJW8BCM TO EMA6DH8FBJW8BCM			
01	REVISED CONFIGURATION CODE	03.11.2014	G.McD	M.B
REV	MODIFICATION	DATE	DESIGNER	VERIF
		HEINEMANN PRODUCTS		VUE/VIEW EUROPE: 4/10
		CH-1345 LE LIEU SWITZERLAND		DESSINE LE / DRAWED THE 20.08.2014
TRAITEMENT / FINISH NA		VERIFIE PAR / VERIFIED BY M.B		
MATERIE / MATERIAL NA		NIVEAU DU CERTIFICAT DE SOUMISSION REQUIS / SAMPLES APPROVAL PROCESS REPORT X		DIMENSIONS AND TOLERANCES IN MILLIMETERS
DESIGNATION	EPDU MA 0U (309 32A 3P)18XC13.6XC19	sk-40719-y1	NUMERO DU PLAN PLAN NUMBER	03
COTES A CONTROLER / INSPECTION DIMENSIONS	XX.XX	COTES FONCTIONNELLES / FUNCTIONAL DIMENSIONS	# XX.XX	REV.
Ce document est propriété de Eaton Industries Manufacturing GmbH. Duplication interdite sans autorisation. This document is Eaton Industries Manufacturing GmbH property. Duplication forbidden without authorization.				