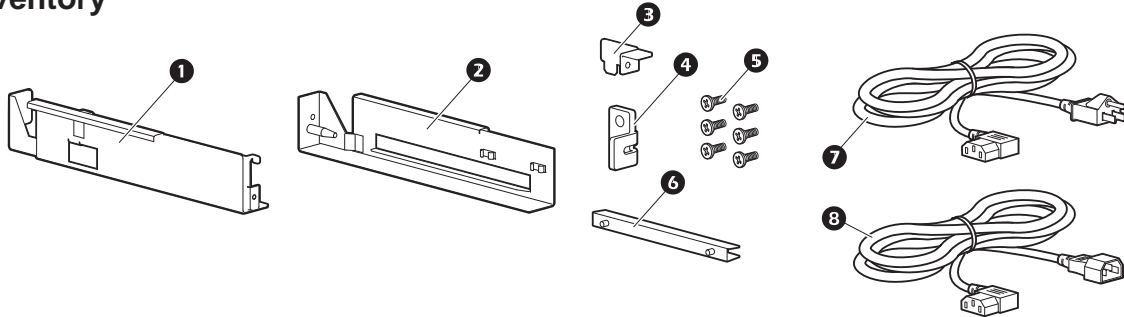


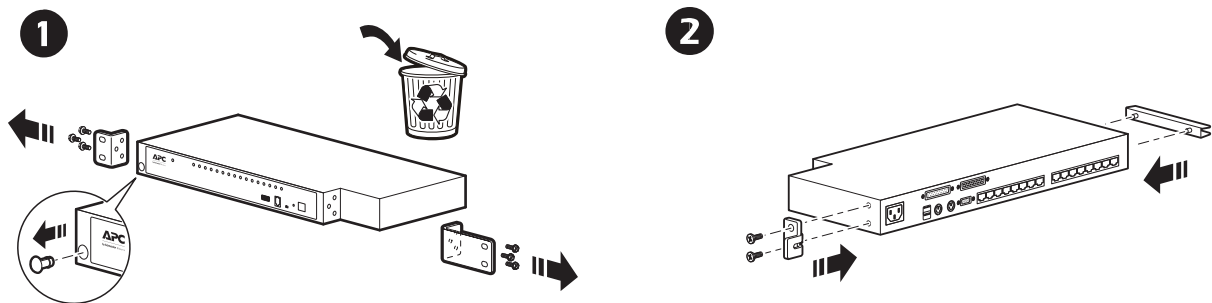
Rack LCD Console KVM Switch Bracket Kit — Installation

Inventory



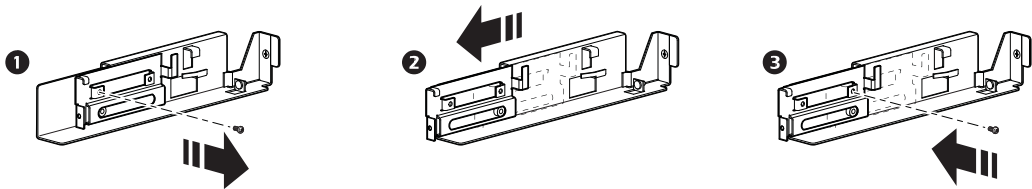
- 1 LH Bracket
- 2 RH Bracket
- 3 RH Rear Bracket
- 4 LH Rear Bracket
- 5 Screws
- 6 Plastic Guide Rail
- 7 Power Cord C13-NEMA 5-15
- 8 Power Cord C13-C14

Prepare the KVM



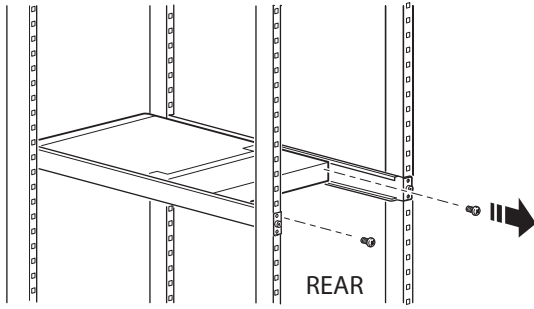
Adjust the LH Bracket

- 3 KVM2132P, KVM2116P, KVM0216A

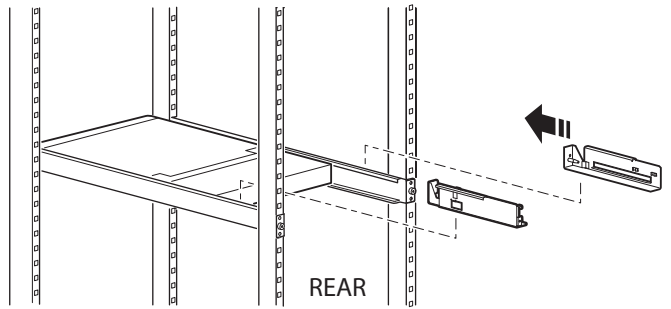


Install the LH and RH Brackets

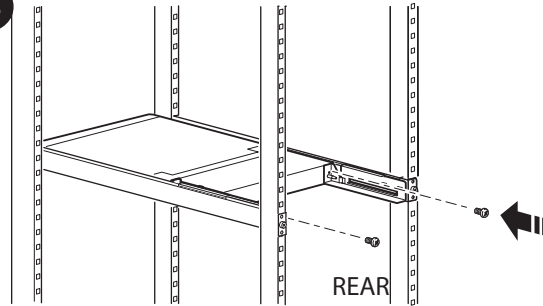
4



5

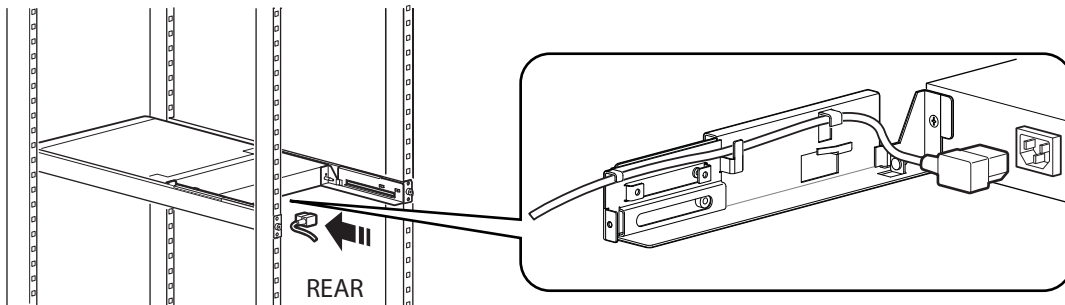


6

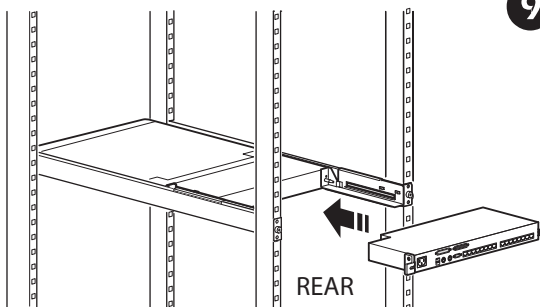


Install the KVM and Rear Brackets

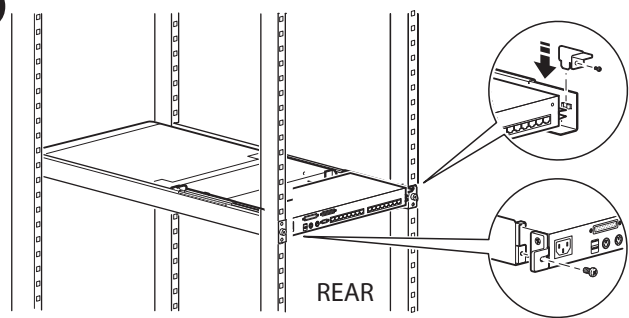
7



8



9



Customer support and warranty information is available at the APC Web site, www.apc.com.

© 2011 APC by Schneider Electric. APC, the APC logo, and others are owned by Schneider Electric Industries S.A.S., American Power Conversion Corporation, or their affiliated companies. All other trademarks are property of their respective owners.

990-4533
7/2011